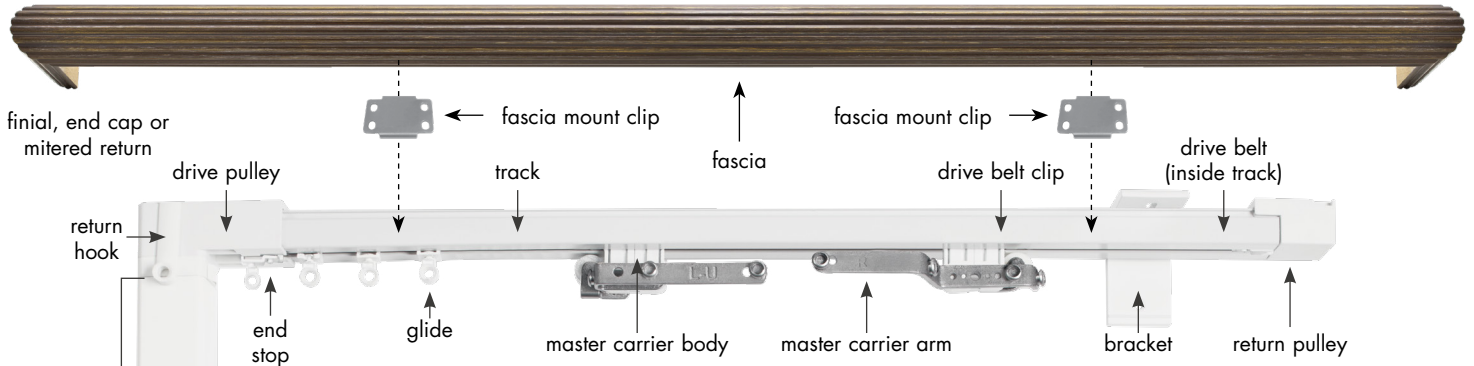


R-TEC motorized heavy duty traverse | ordering info



R-TEC Automation® handheld remote with wall mount  
 (5 channel)  
 • 4¾"H x 2"W x ¾"D  
 • 1 remote control per system  
 • range: 65'  
 • programmable Favorite Position to set your favorite drapery position  
 • available in off-white

system requirements:  
 1 drive pulley & 1 return pulley for one-way draw;  
 2 drive pulleys for center draw.

slim drapery motor\* (can be top mounted)

\*Tandem alternative option available.

li-ion battery shown (110v AC power transformer option available)

- 1 select your system  
Single or double system.
- 2 select your track color  
White or bronze.
- 3 select your motor power  
Pick from Li-ion Battery or 110v AC/DC Power Transformer.

- 4 select your drapery style, draw & master carrier  
Pinch Pleat or Ripplefold. One-Way Draw Right or Left, or Center Draw. Overlap or Butt Master.



**Pinch Pleat**  
 • Color: White or Bronze.



**Ripplefold**  
 • Color: White or Bronze.  
 • 60%, 80%, 100% and 120% fullness available; please specify on order.  
 • Overlap Master Carriers are standard.  
 • Butt Master Carriers available, allowing some light to filter between draperies on center draw treatments. Must be specified for substitution.

- 5 select your R-TEC Smart Controls  
System includes a Push 5 channel handheld remote with wall mount. Take your drapery control to the next level by upgrading to the R-TEC Hub to integrate your draperies with whole home and voice control systems.

- 6 select your fascia & finish  
Available with 1 ¾", 1 7/8", 2", 2 ¼" and 3" diameter fascia profiles or without wood fascia. Choose from any of our 50 standard hand painted finishes or your own custom finish. Finials sold separately.