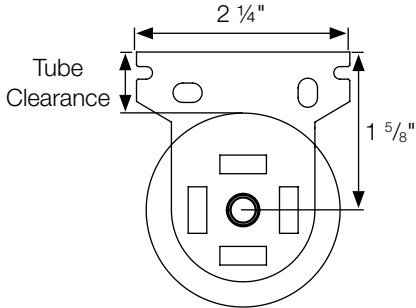


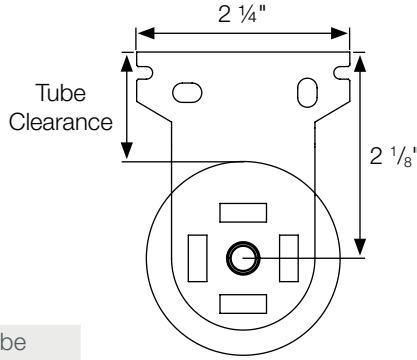
Skyline Brackets

*Consider the base measurement of the brackets when selecting brackets for Roman Shades.

Skyline Bracket - RSB10

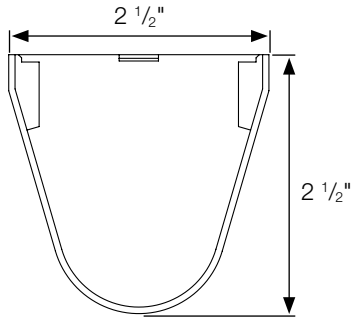


Skyline Bracket - RSB20

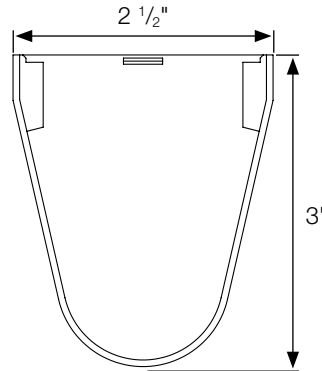


	1 1/4" Tube Clearance	1 1/2" Tube Clearance	2" Tube Clearance
RSB10	1"	7/8"	5/8"
RSB20	1 1/2"	1 3/8"	1 1/8"

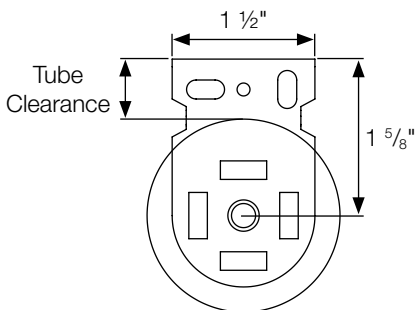
Skyline Bracket Cover for RSB10 - RSBC10/



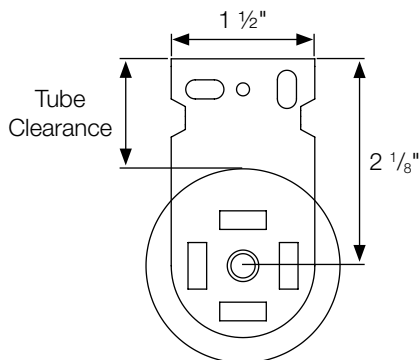
Skyline Bracket Cover for RSB20 - RSBC20/



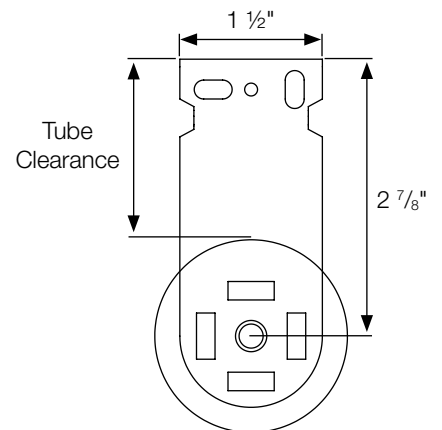
Narrow Skyline Bracket - RSNB10



Narrow Skyline Bracket - RSNB20



Narrow Skyline Bracket - RSNB30



	1 1/4" Tube Clearance	1 1/2" Tube Clearance	2" Tube Clearance
RSNB10	1"	7/8"	5/8"
RSNB20	1 1/2"	1 3/8"	1 1/8"
RSNB30	2 1/4"	2 1/8"	1 7/8"

Note: Narrow brackets do not work with Bracket Covers.