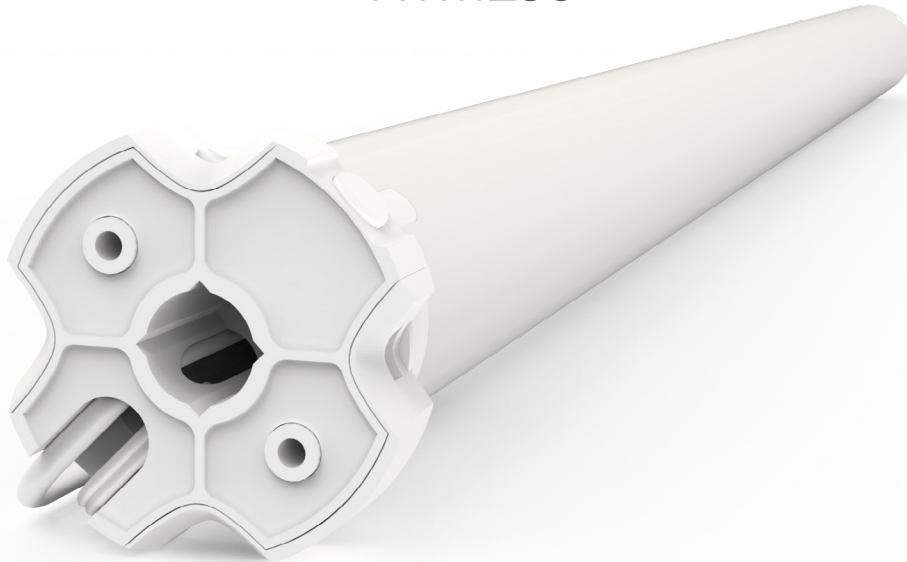


35 mm Standard Wirefree Tubular Motor RTML35



Li-ion battery powered motorized shades are a perfect retro fit for existing homes or small commercial projects. Li-ion powered motors require no electrical wiring, no external battery pack and no complicated installation.

The standard 35 mm motor allows a maximum shade size of 120" x 120" and has a 37" minimum shade width / roller tube length.



2-Way RF Communication

Integrated radio frequency control allows for easy programming of individual, group or ALL control across window treatments.



Leveling Control

This feature allows for precise positioning of multiple window treatments, ensuring perfect alignment.



Preferred Upper / Lower Limit Settings

Electronic "autoset" limits accurately program preferred upper and lower limit settings.



Favorite Position

Allows a most used or favorite position to be set between upper and lower limit settings.



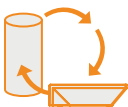
Adjustable Speed

Three operational speed settings available, allowing you to customize the open / close speed of your shade.



Optimal Solar Recharge Option

Pairs with optional solar panel battery charger for autonomous recharging of the built-in li-ion battery.



IOT Integration

Pairs with several voice control systems using the R-TEC Hub and Automation[®] App, including Apple HomeKit, Amazon Alexa, Google Assistant, IFTTT and SmartThings.



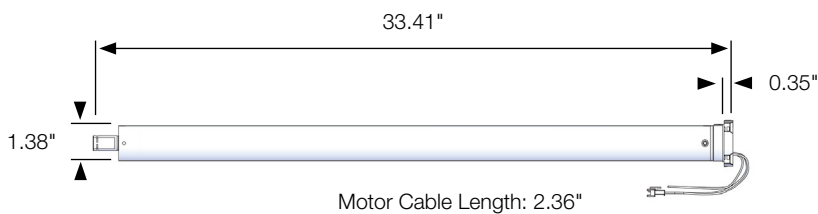
Battery Powered

Rechargeable built-in Li-ion battery that operates up to 500 up and down cycles per charge (based on recommended shade size).

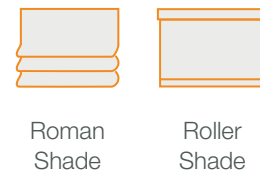
SPECIFICATIONS

Voltage	12 V DC	Limit Switch Type	Electronic
Torque	3.0 Nm	Amps	2.2 A
Max. Run Time	10 min.	Battery Size / Type	5200 mAh
Speed	28 RPM (Adj. to 24 or 20)	Temperature Working Range	32° F - 140° F (0° C - 60° C)
Radio Frequency	433.92 MHz	Insulation Class	III
RF Modulation	FSK	Sound Level	~53 DB
IP Rating	IP44		

DIMENSIONS



APPLICATIONS



USE WITH

Compatible Power Options

Item #	Description
RTMLBC	Battery Charger 12', .4Amp, 12V
RTMLCXT48	Charger Cable Extender 48", 12V
RTMLCXT96	Charger Cable Extender 96", 12V
RTMSOLAR2	Solar Panel Battery Charger

Compatible Brackets & Bracket Covers

Item #	Description
RSB10	Bracket: 1 5/8" Projection, 2 1/4" Width
RSB20	Bracket: 2 1/8" Projection, 2 1/4" Width
RSBC10/	Bracket Cover for RSB10 (SN, W or K)
RSBC20/	Bracket Cover for RSB20 (SN, W or K)
RSNB10	Bracket: 1 5/8" Projection, 1 1/2" Width
RSNB20	Bracket: 2 1/8" Projection, 1 1/2" Width
RSNB30	Bracket: 2 7/8" Projection, 1 1/2" Width

Compatible Drive Set Kits & Motor End Cover Kits

Item #	Description
RTMDRK35200	2" Drive Set Kit (includes motor adapter plate, crown & drive set and end pin)
RTMMC35/	35 mm Motor End Cover Kit (W or K)

Compatible R-TEC Smart Controls

Item #	Description
RTMHR1C	Handheld Remote with Wall Mount, 1 Channel, Range: 65'
RTMHR5C	Handheld Remote with Wall Mount, 5 Channel, Range: 65'
RTMHR15C	Handheld Remote with Wall Mount, 15 Channel, Range: 65'
RTMWSR5C	Surface Wall Mount Switch, 5 Channel, Range: 65'
RTMWSR15C	Wall Box Mount Switch, 15 Channel, Range: 65'
RTMHUB2	R-TEC Hub, includes USB Power Cord, Power Plug & Ethernet Cable, Range: 60'
RTMISS	Interior Sun Sensor, Range: 65'
RTMUSR	ARC USB Signal Repeater, Extends the wireless range of the R-TEC Hub and Remotes up to 60'. Max. 2 per system.
RTMLWCW	Wall Charger for USB Signal Repeater

Compatible Aluminum Rollers

Item #	Description
RC62/4	2" (4', 6', 8', 12' or 16' lengths)