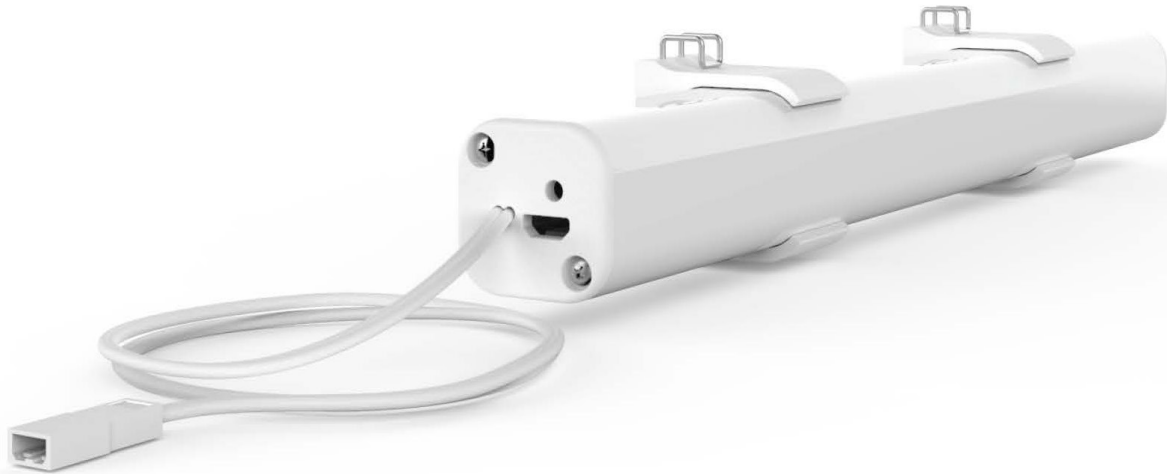


Rechargeable Battery Pack RTMDCRBP



The rechargeable Li-ion Battery Pack enables DC Tubular Motors to operate wirelessly and without the constraints of traditional battery wands with disposable batteries. It can be paired with the optional Solar Panel Battery Charger for continuous recharging.



Quick Recharge

Battery pack fully recharges in ~7 hours, providing more time for your window treatments to work.



Battery Status

Battery health status reported in R-TEC Automation[®] App if R-TEC Hub is connected, providing information from the palm of your hand.



Convenient

Used in place of external plug power supplies or battery wands with disposable batteries.



Slim Profile

Small profile allows for optimal placement in window pocket.



Long Life

Provides up to 500 up / down cycles on a single charge (depends on window treatment size).



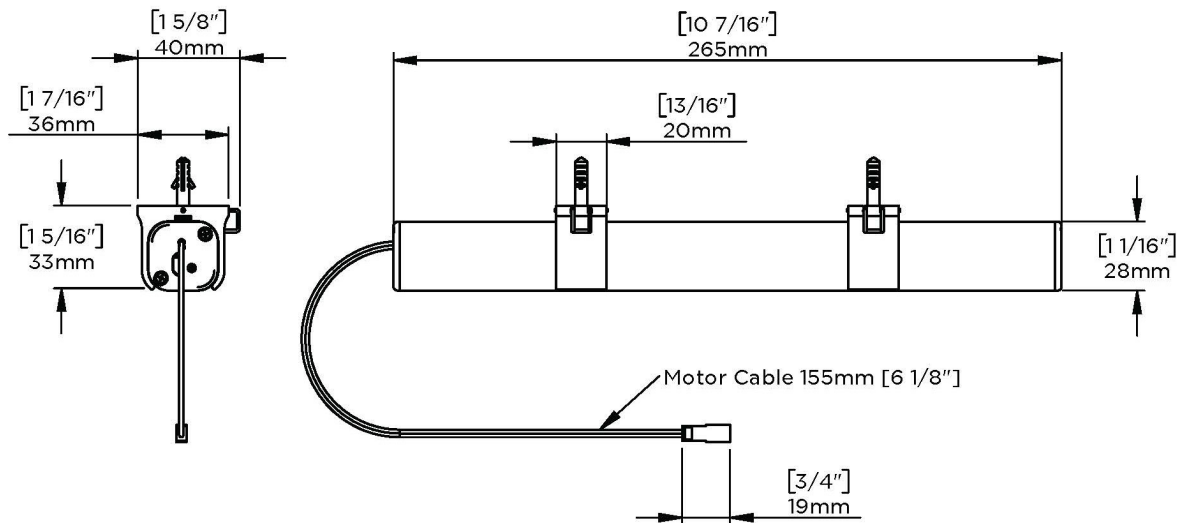
Optimal Solar Recharge Option

Pairs with optional solar panel battery charger for autonomous recharging.

SPECIFICATIONS

Input Volts	5 V	Insulation Class	III
Output Volts	12.6 V	Battery / Type	Lithium-ion Rechargeable
Capacity	2600 mAh	Temperature Working Range	32° F - 113° F (0° C - 45° C)

DIMENSIONS



USE WITH

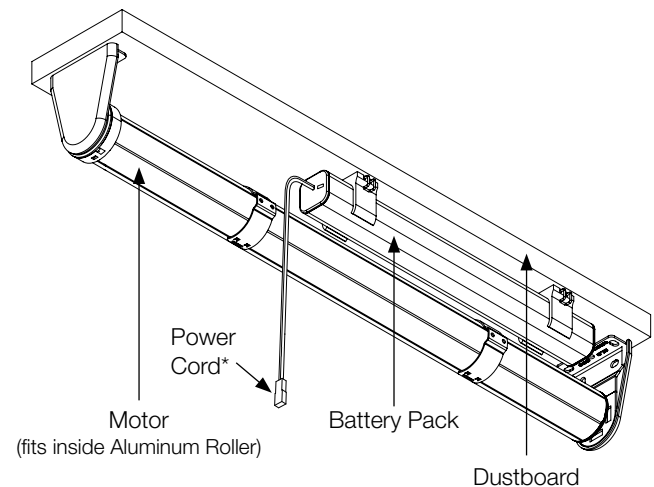
Compatible Motors

Item #	Description
RTMDCZ25 RTMDCZ25S	25 mm DC Tubular Standard Motors
RTMDCZ28	28 mm DC Tubular Quiet Motor

Compatible Accessories

Item #	Description
RTMLDSSBC	5v USB Wall Charger, 2A
RTMLDSSUSB	Micro USB Charger Cable, 157"
RTMLCXT48	Charger Cable Extender 48", 12V
RTMSOLAR2	Solar Panel Battery Charger

Mounting the Battery Pack to the Dustboard



*Power Cord plugs into the Motor from the Battery Pack. Keep cord away from rotating parts of the shade during operation.