

5v Micro USB/Magnetic Cable Kits RTM5VLMCK1, RTM5VLMCK5, RTM5VLMC25



5v Micro USB/Magnetic Cable Kit
(1 cable + 1 connector)
RTM5VLMCK1



5v Micro USB/Magnetic Cable Kit
(1 cable + 5 connectors)
RTM5VLMCK5



USB/Magnetic Connector, 25 pieces
RTM5VLMC25

Easily charge your R-TEC Automation[®] shades with the 5v magnetic charger. Simply snap the charger in place and pull off when fully charged.



Removal of the magnet is a simple pull to disconnect.



Eliminates the need for a ladder to access the charging port.



Easy to snap the charger in place and pull it off when fully charged.

PRODUCT SPECIFICATIONS

	USB Magnetic Cable	Round Magnetic Tip Connector
Vmax	5V	
Imax	2A	
Finished	Metal	Braided
Weight	0.5 oz	0.30 oz
Color	White	
Charging Indicator	Blue LED	

PRODUCT APPLICATIONS

Any variety of Roller Shades (Open Roll, Facia, and Cassette), Roman Shades etc.

IMPORTANT NOTE: Charging your motor using the 5V Magnetic Charger can take about 9-12 hours, depending on the motor model and power supply amperage output.

CHARGING PROCESS



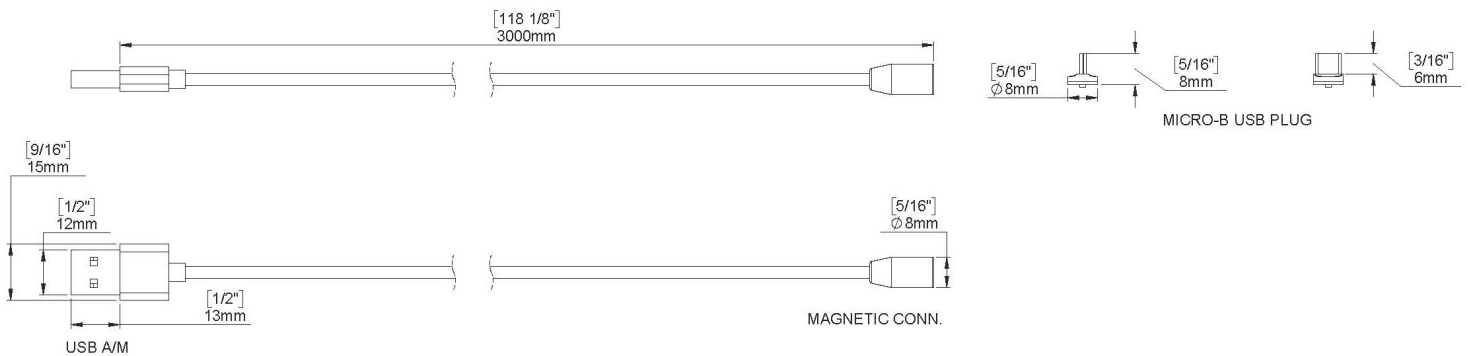
1. Connect the Magnetic Tip the motor head



2. Check if the Green LED on the Magnetic Cable is blinking (blinking equals charging)



DIMENSIONS



COMPATIBLE PRODUCTS (refer to catalog for full item listings)



USB Wall Charger 5V



Rechargeable Battery Pack 5V