

Interior Sun Sensor RTMISS



Interior sun sensors automatically manage daylight transitions at each window, minimizing reliance on and costs of artificial light. They can automatically close your window treatments to help control sun glare, protect your interior from UV damage and assist to keep your home cool. This discreet device easily mounts to the inside of your window with adhesive - just peel and press to glass to install.



2-Way RF Communication

Integrated radio frequency control allows for easy programming of individual, group or all control across window treatments.



Light Sensitivity

With four preset light intensity thresholds, window treatments will close when sunlight intensity goes above the selected level.



Adjustable Modes

Three modes of operation to select from: Close Mode, Open / Close Mode and Shade Detect Mode.



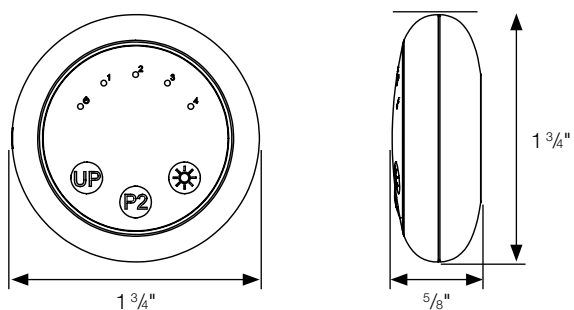
Low Battery Warning

The currently selected light level LED will blink every two minutes when the 3 V - CR2032 battery is low.

SPECIFICATIONS

Voltage	3 V (CR2032)	Transmitting Power	10 milliwatt
Standby Current	5 uA	Ambient Operating Temperature	14° F - 122° F (-10° C - 50° C)
Frequency	433.92 MHz	Light Intensity Level Range	15 - 75 Klux
Transmission Distance	65'		

DIMENSIONS



USE WITH

Compatible Motors

Item #	Description
RTML25	25 mm Wirefree Tubular Standard Motor
RTMLQ28	28 mm Wirefree Tubular Quiet Motor
RTML35	35 mm Wirefree Tubular Standard Motor
RTMDC25	25 mm DC Tubular Standard Motor
RTMDCQ28	28 mm DC Tubular Quiet Motor
RTMDC35	35 mm DC Tubular Standard Motor
RTMLDSS50	Slim Drapery Motor