

Li-ion Battery Charger RTMLBC



The Battery Charger can be used with our Wirefree Tubular Motors (with built-in Li-ion Battery) and DC Tubular Motors (if using the rechargeable Li-ion Battery Pack that enables DC Tubular Motors to operate wirelessly and without the constraints of traditional battery wands with disposable batteries).



Quick Recharge

Li-ion Battery Motor or Battery Pack fully recharge in ~6 hours, providing more time for your window treatments to work.



Battery Status

Battery health status reported in R-TEC Automation[®] App if R-TEC Hub is connected, providing information from the palm of your hand.



Convenient

Used in place of external plug power supplies or battery wands with disposable batteries.



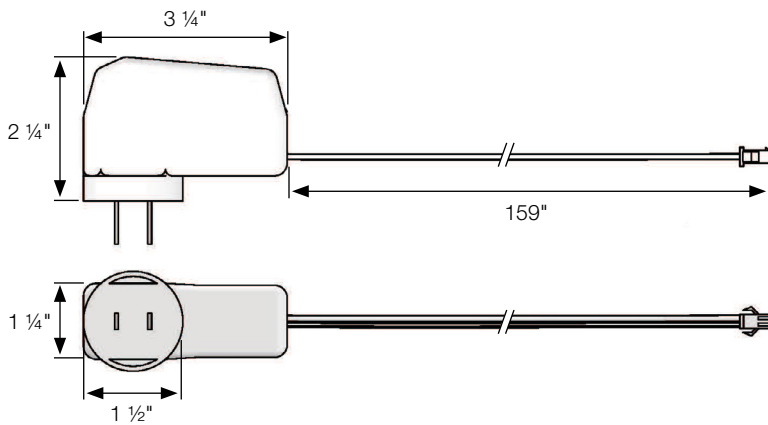
Long Life

Provides up to 500 up / down cycles on a single charge (depends on window treatment size).

SPECIFICATIONS

Input	100-240 V	~50/60 Hz	0.4 A
Output	12.6 V	1000 mA	12.6 W
Battery Type	Li-ion		

DIMENSIONS



USE WITH

Compatible Motors

Item #	Description
RTML25	25 mm Wirefree Tubular Standard Motor
RTMLQ28	28 mm Wirefree Tubular Quiet Motor
RTML35	35 mm Wirefree Tubular Standard Motor
RTMDC25	25 mm DC Tubular Standard Motor (if using High Capacity Battery Pack RTMDCHCBP power option)
RTMDCQ28	28 mm DC Tubular Quiet Motor (if using High Capacity Battery Pack RTMDCHCBP power option)

Compatible Accessories

Item #	Description
RTMLCXT48	Charger Cable Extender 48", 12V
RTMLCXT96	Charger Cable Extender 96", 12V