


Basics Motorization System

featuring local control via a RF 5 Channel Remote Control

RTM5VB25S & RTMHRB5C



- Accessible and essential motorization.
- RF 5 Channel Remote Control, with a sleek design, is used to operate the Basics Motor with up, down and stop functionality.
- Basics Motors & Controls are not compatible/interchangeable with other R-TEC Motors & Controls (including the R-TEC Hub or App). Control of the shade is only available through the included RF 5 Channel Remote.
- Li-ion Battery operates up to 500 up and down cycles per charge (based on recommended shade size).
- Requires Battery Charger.
- Can be used for narrow width applications and is the narrowest R-TEC motor!
- Certified Best for Kids[™]. 

Basics Motor

Item #	Motor Size & Style	Sound	Tube Dia.	Max. Size	Min. Roller Shade Width / Roller Tube Length	Min. Roman Shade Width / Dustboard Length	Max. Load
RTM5VB25S	25 mm Short	Std	1 ¼"	84" x 84"	19"	20 ½"	15 ½ lbs.
			1 ½"	84" x 84"	21"	22 ½"	13 lbs.

Basics Remote Control

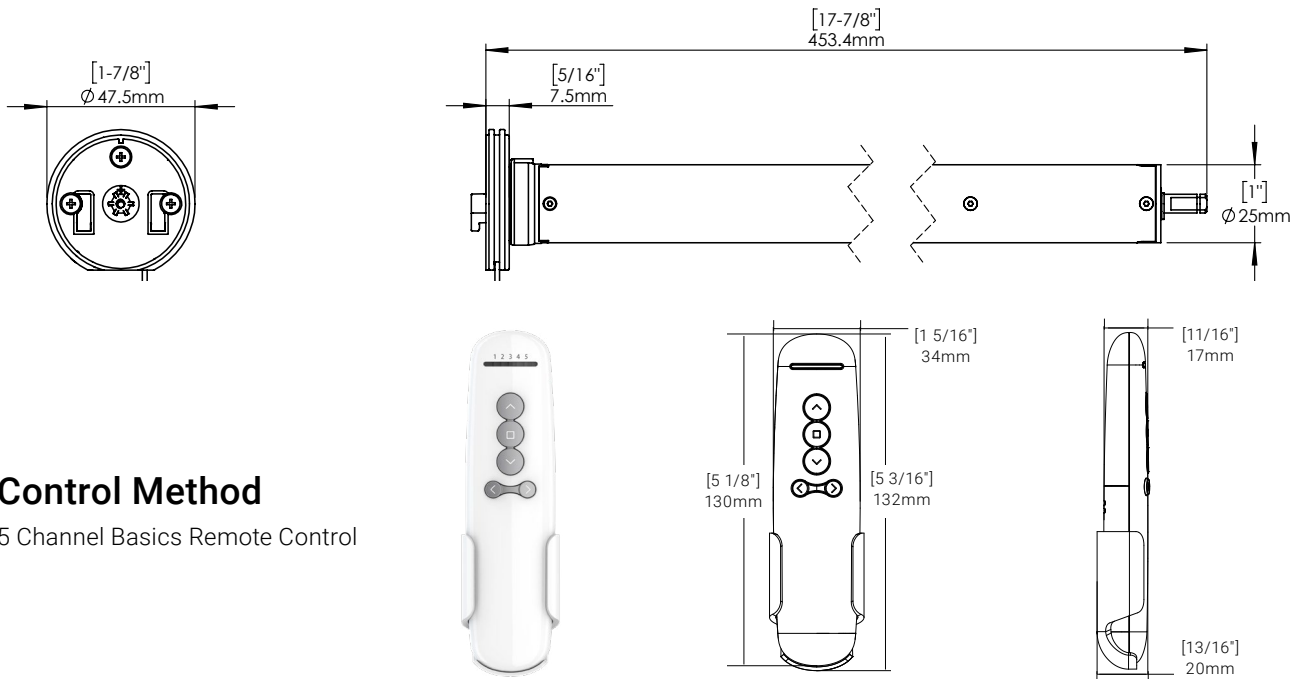
Item #	Description
RTMHRB5C	Basics RF Remote Control, 5 Channel, White, Range: 65' +

SPECIFICATIONS

Voltage	5V-DC
Torque	1.1Nm
Max Run Time	12 min.
Speed	28 RPM (Adjustable to 20 or 24)
IP Rating	IP20
Temp Working Range	32°F to 140°F (0°C to 60°C)
Insulation Class	III

Limit Switch Type	Electronic
Current	0.80 A
Battery Size/Type	2600mAH
Sound Level	56dBs, testing under ISO3745
Power	9.6 W

DIMENSIONS



Control Method

5 Channel Basics Remote Control



USE WITH

Li-ion Battery Motor Accessories

Item #	Description
RTMLDSSBC	5v USB Wall Charger, 2A
RTMLDSSUSB	Micro USB Charger Cable, 157"
RTM5VLCXT48	Micro USB Extension Cable, 48" (must use with charger cable above)
RTM5VLMCK1	5v Micro USB/Magnetic Cable Kit, 118" (1 cable & 1 connector)
RTM5VLMCK5	5v Micro USB/Magnetic Cable Kit, 118" (1 cable & 5 connectors)
RTM5VLMC25	USB/Magnetic Connector*, 25 pieces



RTMLDSSBC

RTMLDSSUSB



RTM5VLMCK1

*USB Magnetic Connector is small enough to be permanently plugged in the motors. After each charging, remove the magnetic cable and charger to keep a clean and safe look.