

18 Channel Power Distributor RTMDCPD18



Higher 15V output allows for greater cable lengths from motor to power panel, freeing up routing options within an installation. Removes the need for multiple individual power adaptors for each DC motor in an installation, combining each power source into a single location. Channels may also be wired in parallel to provide additional power to larger motors.

- Capacity for up to 18 ARC DC motors (25mm and 28mm motors)
- Ability to parallel connect motor supplies for higher current motors (35mm motors)
- LED status indication for checking whether power is being applied to panel
- LED status indication for each individual motor supply
- 18 Channel Power Distributor requires 16/2 to 24/2 gauge cable hookup. Refer to the product information sheet for cable size. bit.ly/18-ch-dist-cable



RELIABLE, COST EFFECTIVE POWER

Power your Automate DCRF motors from a compact, central location that can service up to 18 motors.



LED STATUS

Easily check each individual motors power status, by viewing the prominent green LED's on the DC Power Panel.



SECURE LOCK

Locking cabinet provides protection from inadvertent or unwanted access to power connections.



DIFFERENT WIRE TYPES

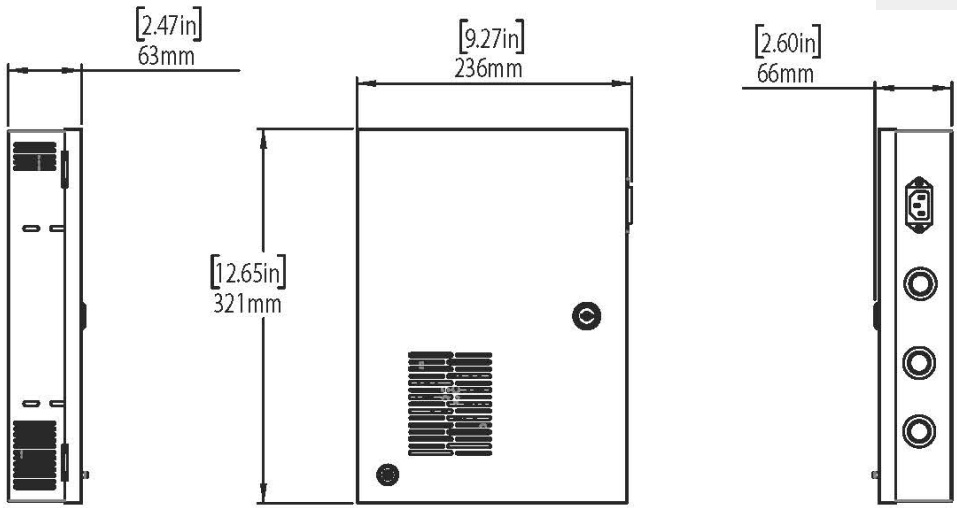
The panel can be used with many different wire types (from 26 to 14 AWG). So any pre-wired installation may readily use DCRF motors and the Power Distribution Panel.

SPECIFICATIONS

Input Voltage Range	85 V AC ~ 125V AC	Power Output Rating	360 W
Output Voltage Range	15 VDC	Single Channel Max. Current Output	1.33 A
Max. Output Current (all 18 channels)	24 A	IP Rating	IP20

DIMENSIONS

NOTE:
Up to 18 motors (25 mm and 28 mm)
Up to 9 motors (35 mm)



USE WITH

Compatible Motors

Item #	Description
RTMDCZ25	25 mm DC Tubular Shade Motor with Skyline Head (requires RTMDCH)
RTMDCZ28	28 mm DC Tubular Shade Motor with Skyline Head (requires RTMDCH)
RTMDC35	35 mm DC Tubular Shade Motor (requires RTMDCH)
RTMLDSS50	Slim Drapery Motor (requires RTMDMA)

Accessories (sold separately)

Requires 16/2 to 24/2 gauge cable hookup. Refer to the product information sheet for cable size: bit.ly/18-ch-dist-cable



RTMDCH



RTMDMA

Items Included



Keys



Screws x4



Wall Plug x4



Fuse x3