

Roller Shade Clutch Installation Instructions

Using Skyline Clutches

Please read all instructions before starting

INTRODUCTION:

The **Roller Shade Clutch System** is used to manually control roller shades. The total allowable shade weight will depend on the tube diameter and the clutch selected (see the chart below for allowable shade weights). By pulling the drive bead chain loop, the operator can raise and lower the shade smoothly and precisely. **Figure 1** shows an assembled roller shade with the clutch and end brackets. The **Roller Shade** can be mounted either inside or outside the window casing. For an inside mount, mount the brackets as close to window as possible yet have enough space for the shade fabric when completely rolled up. The shade can be regular wind or reverse wind as shown below in **Figure 2**.

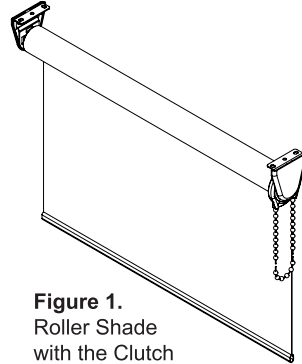


Figure 1.
Roller Shade with the Clutch

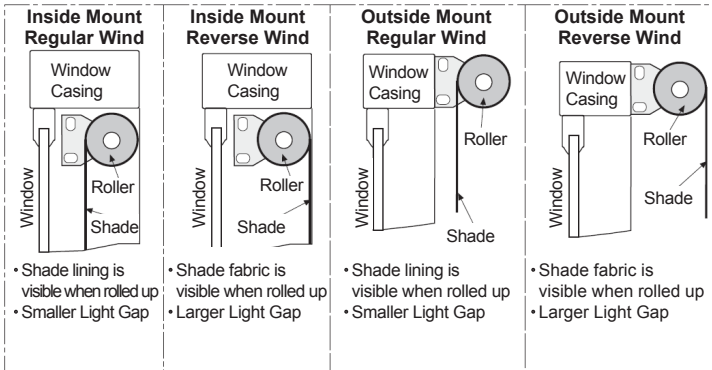


Figure 2. Side view on the top portion of the window

ALLOWABLE SHADE WEIGHTS:

Skyline Clutch Kit Item #	Tube Diameter	Allowable Shade Weight
RSC10118	1 1/8"	11 Pounds
RSC10114	1 1/4"	10 Pounds
RSC10112	1 1/2"	8 Pounds
RSC15118	1 1/8"	16.5 Pounds
RSC15114	1 1/4"	15 Pounds
RSC15112	1 1/2"	12 Pounds
RSC20112	1 1/2"	20 Pounds
RSC20200	2"	15 Pounds
RSC30112	1 1/2"	30 Pounds
RSC30200	2"	22 Pounds

PARTS LIST. See Figure 3.

1. Clutch Unit
2. End Plug
3. Brackets
4. Bracket Covers
5. Aluminum Roller
6. Bead Chain Loop
7. Tube Adapter (as required)

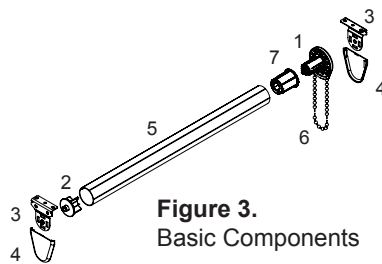


Figure 3.
Basic Components

BRACKETS & BRACKET COVERS:

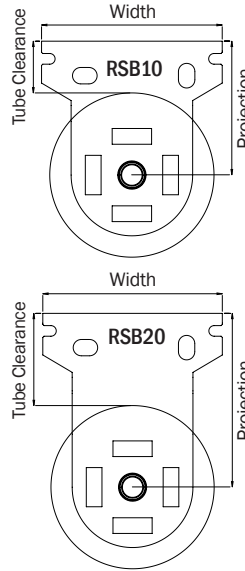


Figure 4.
Brackets

BRACKET COVERS:

Item #	Fits
RSBC10/	RSB10
RSBC20/	RSB20

Available in White /W, Satin Nickel /SN and Black /K.

BRACKETS:

Item #	Clutch Size	Proj.	1 1/8" Tube Clearance	1 1/4" Tube Clearance	1 1/2" Tube Clearance	2" Tube Clearance	Width
RSB10	SL10 & SL15	1 5/8"	1 1/16"	1"	7/8"	5/8"	2 1/4"
RSB20	SL20 & SL30	2 1/8"	1 9/16"	1 1/2"	1 3/8"	1 1/8"	2 1/4"

Available in Zinc.

MEASUREMENT:

Step 1. See **Figure 5**.

- A. Inside Mount:** Measure the **Width** inside the casing (jam-to-jam, or casing-to-casing), where the brackets will be installed; and the **Length** from the top of the bracket to the bottom of the window. Mark your location.

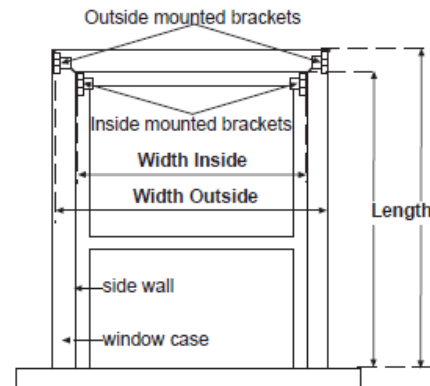


Figure 5. Measurements on a window

- B. Outside Mount:** Measure the **Width** outside between the outer edges of the window trim where the brackets will be installed; and the **Length** from the top of the bracket to the bottom of the window. Mark your location.

NOTE: Measure all windows for accuracy even though they may look the same.

FABRICATION:

Step 2. Cut shade cloth and aluminum roller.

A. Chart for Shade Cloth Width/Roller Tube Length

Skyline Clutch Kit Item #	Tube Dia.	Shade Cloth Width/Roller Tube Length
RSC10118	1 1/8"	Width - 1 1/8"
RSC10114	1 1/4"	Width - 1 1/8"
RSC10112	1 1/2"	Width - 1 1/8"
RSC15118	1 1/8"	Width - 1 1/8"
RSC15114	1 1/4"	Width - 1 1/8"
RSC15112	1 1/2"	Width - 1 1/8"
RSC20112	1 1/2"	Width - 1 1/8"
RSC20200	2"	Width - 1 1/8"
RSC30112	1 1/2"	Width - 1 1/8"
RSC30200	2"	Width - 1 1/8"

B. Chart for Shade Cloth Length (Finished Shade Cloth Length allows for a bottom bar pocket and to wrap around the roller at the top):

Tube Dia.	Finished Shade Cloth Length
1 1/8"	Length + 10"
1 1/4"	Length + 11"
1 1/2"	Length + 12"
2"	Length + 15"

NOTE: Cut the shade cloth square to ensure the shade will travel up and down and not track to the left or right.

Step 3. Peel the yellow plastic backing from the sticky tape on the roller. For a regular wind shade, affix the top face of your shade cloth to the roller. For a reverse wind shade, affix the backside of the shade cloth to the roller. Make sure to adhere the cloth straight onto the roller so the shade rolls up evenly.

Step 4. Insert bead chain into the clutch as shown in **Figure 6.**

NOTE: To reduce the chance of a child entangling in the drive bead chain loop, we suggest using the shortest one possible. If you're using a bead chain by the roll and a chain connector to form the chain loop, use the chart below to determine how long to cut the bead chain. For elevated widows you can use a longer chain, but you cannot use a shorter length.

Step 4C. Pull here on bead chain to rotate the pulley clockwise.

Step 4B. Put two consecutive beads in the pulley.

Step 4A. Insert Bead Chain here.

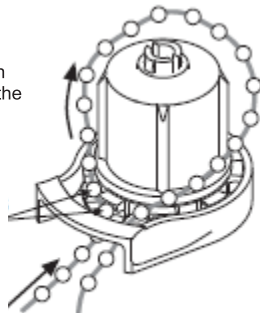


Figure 6. Insert Bead Chain

Skyline Clutch Kit Item #	Tube Dia.	Bead Chain Length when using a Chain Connector
RSC10118	1 1/8"	Finished Shade Length x 1.4
RSC10114	1 1/4"	Finished Shade Length x 1.2
RSC10112	1 1/2"	Finished Shade Length x 1.0
RSC15118	1 1/8"	Finished Shade Length x 1.7
RSC15114	1 1/4"	Finished Shade Length x 1.5
RSC15112	1 1/2"	Finished Shade Length x 1.3
RSC20112	1 1/2"	Finished Shade Length x 1.6
RSC20200	2"	Finished Shade Length x 1.2
RSC30112	1 1/2"	Finished Shade Length x 2.2
RSC30200	2"	Finished Shade Length x 1.7

NOTE TO MANUFACTURER OR FABRICATOR:

A drive tension device is required to comply with ANSI 2018 Standard for Safety of Window Covering Products (Refer to Rowley Item # CT70).



INSTALLATION:

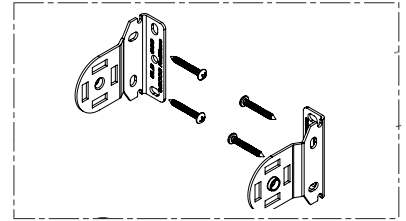
Step 5. Mount the brackets to the window casing according to the marked locations in **Figure 5** (see page 1). **Figure 7** shows the proper bracket placement options. The left and right Skyline brackets are identical so the clutch can be mounted on the left or the right side.

Step 6. Insert the clutch and the end plug (and tube adapter where required) into the roller tube as shown in **Figure 8.** Make sure the tabs on the inside of the roller tube fit into the channel on the clutch.

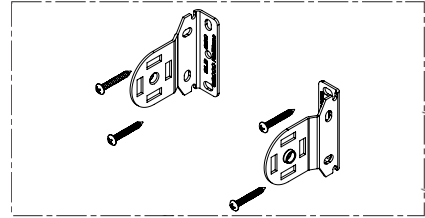
Step 7. To install, insert the pin on the end plug into the center hole of the wall bracket shown in **Figure 8A.** While putting pressure on the spring pin install the clutch onto the other bracket. The spring pressure will allow the tabs on the clutch to seat into the bracket as shown in **Figure 8B.** The bottom of the clutch should always point straight down.

Step 8. See **Figure 9.** Slide the bracket covers onto the brackets.

A. To Inside of Window Casing



B. To Wall or Front of Window Casing



C. To Ceiling or Top of Window Casing

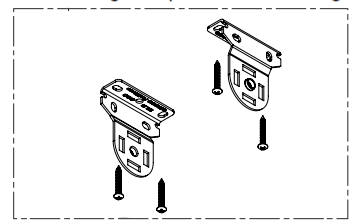


Figure 7. Install Brackets

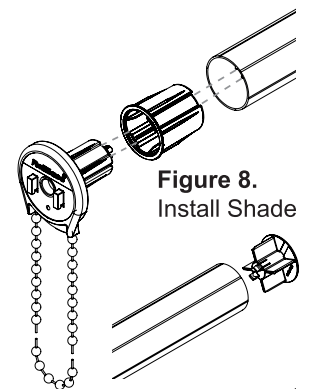


Figure 8. Install Shade

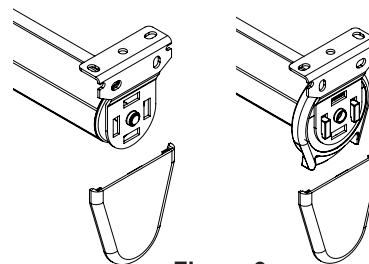


Figure 9. Bracket Covers

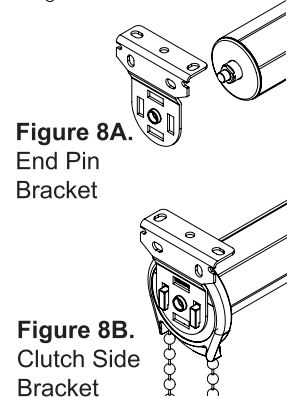


Figure 8A. End Pin Bracket

Figure 8B. Clutch Side Bracket



DOWNLOAD INSTRUCTIONS: