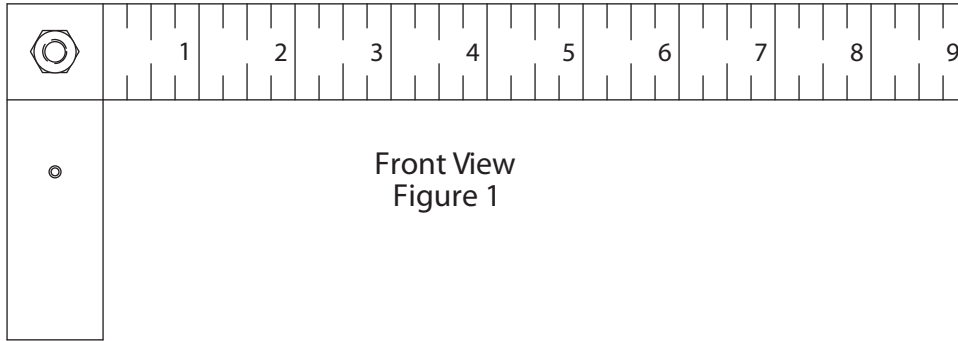


# Measuring Stick Arm (MR72)



Front View  
Figure 1

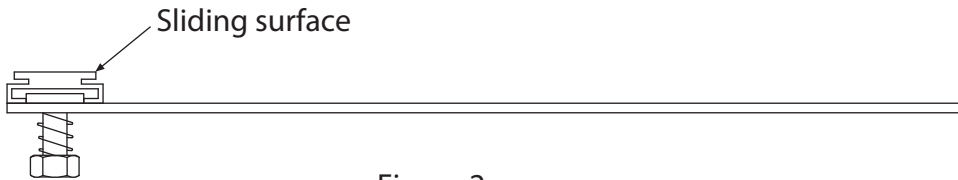


Figure 2

## Assembly Instructions for Attaching Measuring Stick Arm to the Measuring Stick

Attach the Measuring Stick Arm to the back side of the Upper Measuring Stick. Be sure the top of the Measuring Stick Arm and the Upper Measuring Stick are even. When properly positioned, tighten the Allen Screw with a 1/8" Allen wrench.

How to use: See instructions for your particular Measuring Stick. The Measuring Stick Arm will click into a position perpendicular to the upper ruler. When ruler is not in use, pull the Arm against spring as shown in figure 3 and rotate the Measuring Stick Arm down to upper ruler. Use measurements taken from the top edge of the Measuring Stick Arm.

Figure 1 shows the front view of the Measuring Stick Arm. The measuring Stick Arm can be positioned to the right or left of Measuring Stick by pulling the arm out and rotating 180 degrees clockwise or counter clockwise.

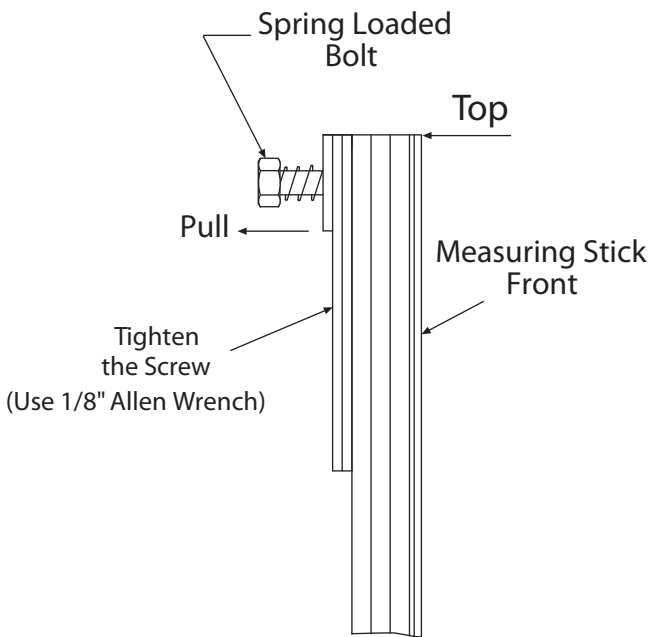


Figure 3