

R-TEC AUTOMATION[®] TRACK ONE-WAY DRAW SYSTEM INSTALLATION INSTRUCTIONS

Please read all instructions before starting

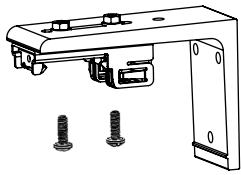
INTRODUCTION:

The R-TEC Automation[®] Track System is used to electronically control the drapery using a Slim Drapery Motor and Remote Control. By using a Remote Control or the R-TEC Automation[®] App via a smartphone or tablet, the operator can open and close the drapery smoothly and precisely.

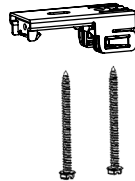
The maximum width for this system is 19' continuous and 36' spliced. The maximum drapery weight is 110 lbs.

BRACKET ASSEMBLY:

The R-TEC Track can be mounted on the wall or ceiling.



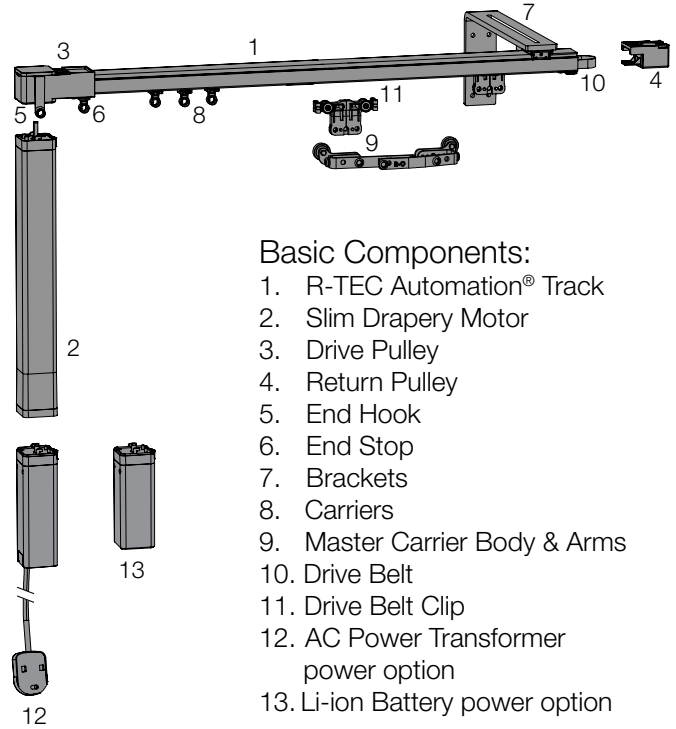
Wall Mount Assembly



Ceiling Mount Assembly

NOTE: The installer is responsible for selecting the correct fastener for attaching the ceiling mount clip to the ceiling.

PARTS LIST:

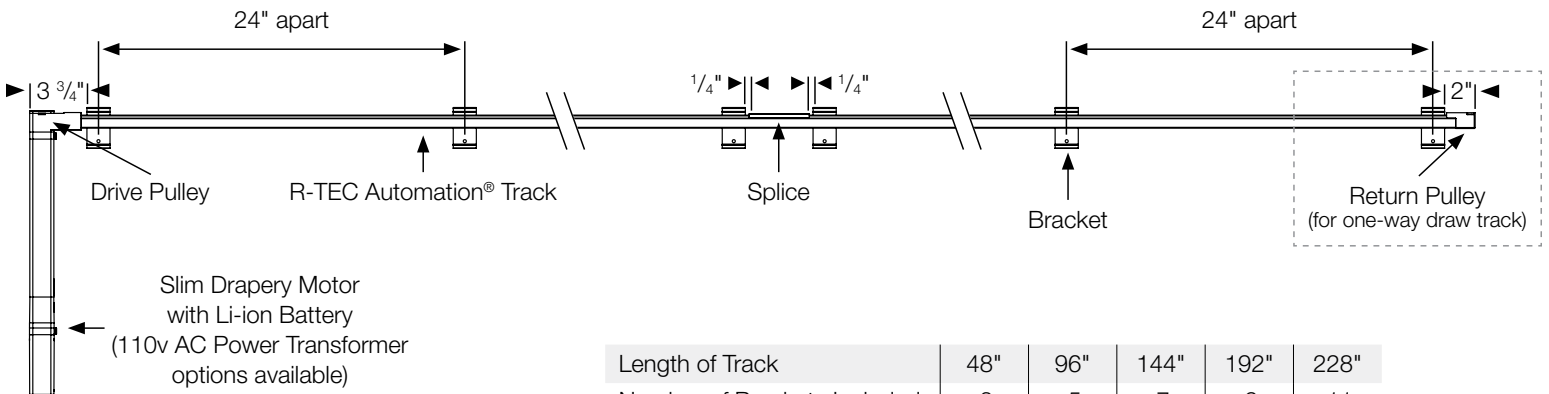


Basic Components:

1. R-TEC Automation[®] Track
2. Slim Drapery Motor
3. Drive Pulley
4. Return Pulley
5. End Hook
6. End Stop
7. Brackets
8. Carriers
9. Master Carrier Body & Arms
10. Drive Belt
11. Drive Belt Clip
12. AC Power Transformer power option
13. Li-ion Battery power option

ONE-WAY BRACKET PLACEMENT:

It's recommended to use 1 bracket beside each pulley. On the remaining part of the R-TEC Automation[®] Track, bracket-to-bracket distances should be no more than 24". Also, 1 bracket should be placed on each side of a splice if used.



Length of Track	48"	96"	144"	192"	228"
Number of Brackets Included	3	5	7	9	11

*Add 1 bracket for each splice used.

ONE-WAY DRAW TRACK ASSEMBLY:

NOTE: System length does not include decorative additions such as fascia or finials. Additional measurement required for these options.

Step 1. Cut the R-TEC Automation[®] Track to the desired length.

Track Length = System Length - 3 5/8"

Example: 72" System Length - 3 5/8" = 68 3/8" Track Length

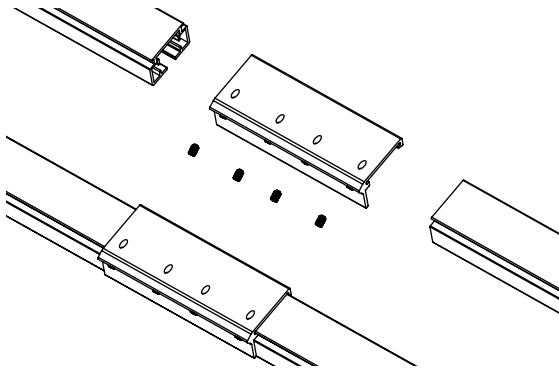


Calculate:

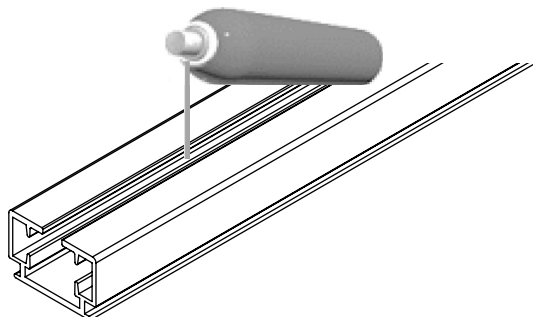
= _____ - 3 5/8"

Track Length = System Length - 3 5/8"

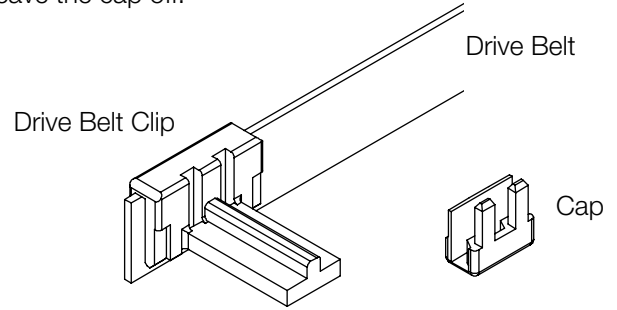
Step 2. Use a Track Splice if required for length. The R-TEC Track is available in a continuous length up to 19', and can be spliced up to a maximum length of 36'.



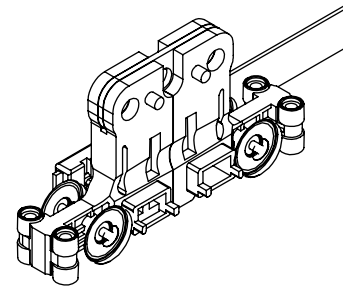
Step 3. Spray both sides of the R-TEC Track with silicone.



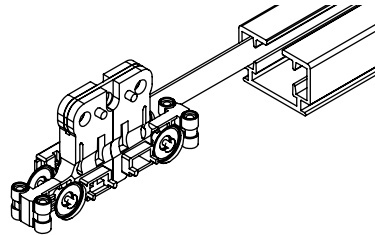
Step 4. Assemble the Drive Belt Clip to the Drive Belt and leave the cap off.



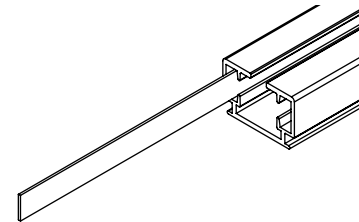
Step 5. Assemble the Master Carrier Body to the Drive Belt Clip.



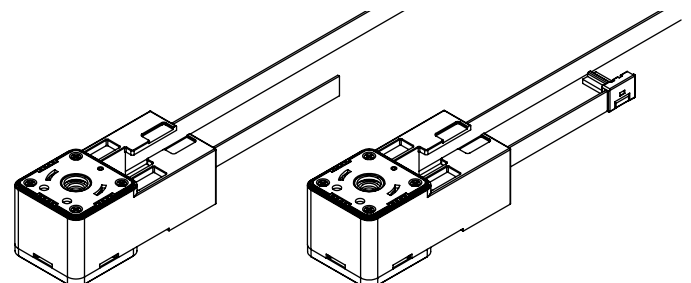
Step 6. Pull the Master Carrier Body through the R-TEC Track.



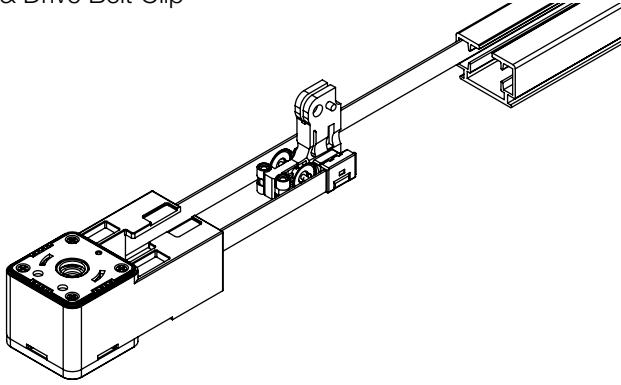
Step 7. Remove the Master Carrier Body and Drive Belt Clip.



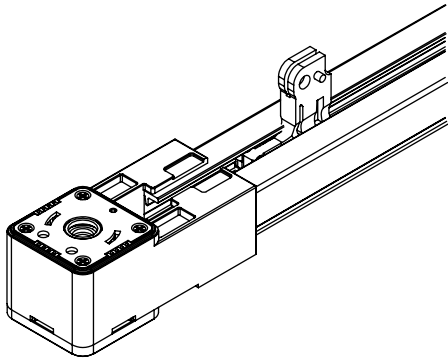
Step 8. Install the Drive Belt through the Drive Pulley, then install the Drive Belt to the Drive Belt Clip.



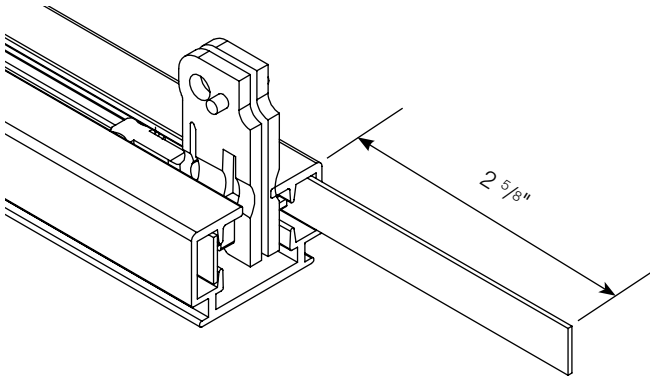
Step 9. Attach half of the Master Carrier Body to the Drive Belt & Drive Belt Clip



Step 10. Pull the Master Carrier Body through the R-TEC Track and assemble the Drive Pulley onto the Track.



Step 11. Align the Master Carrier Body half to the end of the Track. Cut Drive Belt to length: 2 5/8" from end of the Track.



NOTE: If the Drive Belt is pre-cut, skip this step.

Step 12. Calculate the amount of Carriers per length of Track.

PINCH PLEAT

of Pinch Pleat Carriers = System Length / Spacing

Example: 72" / 2" = 36 Carriers

Calculate:

= /

PP Carriers = System Length / Spacing

NOTE: Always round up to an even number

RIPPLEFOLD

of Ripplefold Carriers = System Length / Spacing

Fullness	Spacing
60%	2 5/8"
80%	2 3/8"
100%	2 1/8"
120%	1 7/8"

Example: 72" / 2 1/8" = 33.8 Carriers; round up to 34 Carriers

NOTE: Add 3 Carriers for hardware attachment = 37 Carriers

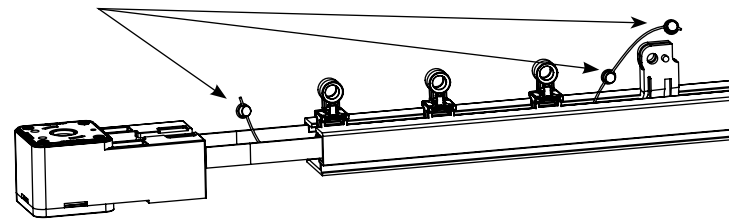
Calculate:

= /

of Ripplefold Carriers = System Length / Spacing

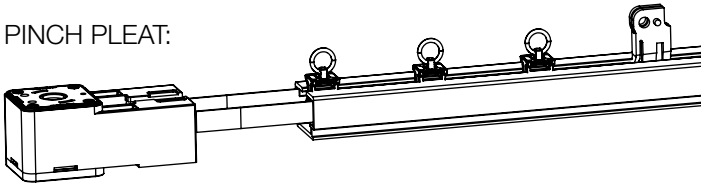
Round up to an even number: Carriers

Add 3 Carriers for hardware attachment: Carriers



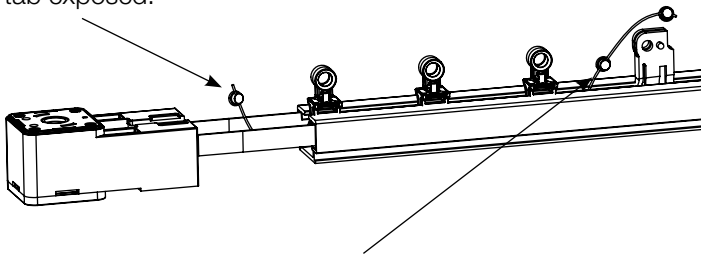
Step 13. Slide the Drive Pulley off of the R-TEC Track and install the required number of Carriers.

PINCH PLEAT:



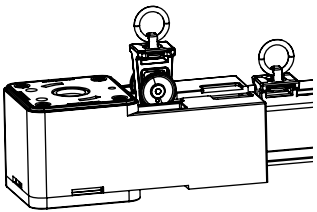
RIPPLEFOLD:

Remove 1 Ripplefold Carriers from the end that's closest to the Drive Pulley. Leave the cord as shown with the attachment tab exposed.

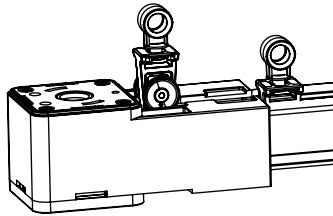


Remove 2 Ripplefold Carriers from the opposite end. Leave attachment tabs exposed.

NOTE: Carriers can be added or removed with the Drive Pulley installed.

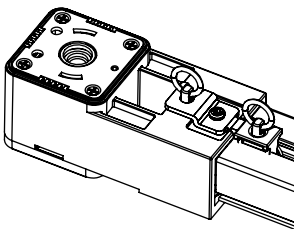


PINCH PLEAT

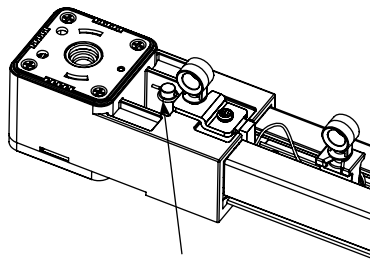


RIPPLEFOLD

Step 14. Install the End Stop.

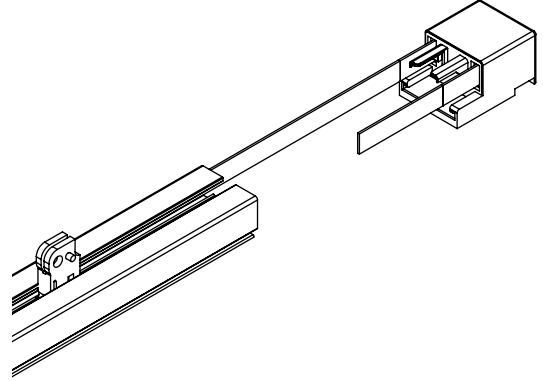


PINCH PLEAT

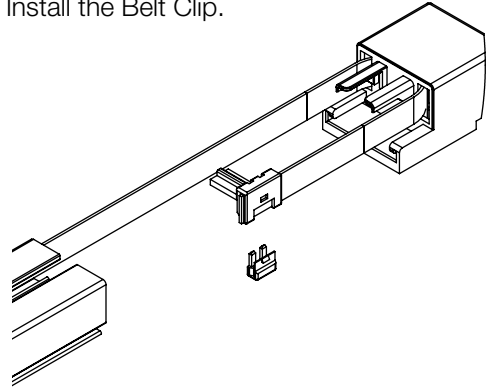


RIPPLEFOLD: Place the cord & attachment tab under the End Stop and tighten the fastener.

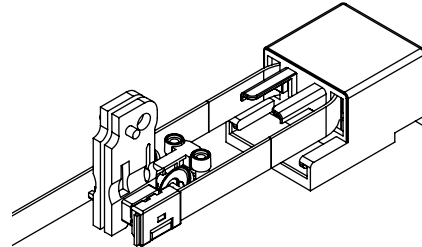
Step 15. Run the Drive Belt through the Return Pulley.



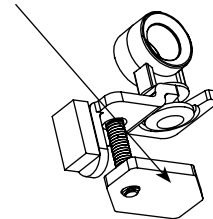
Step 16. Install the Belt Clip.



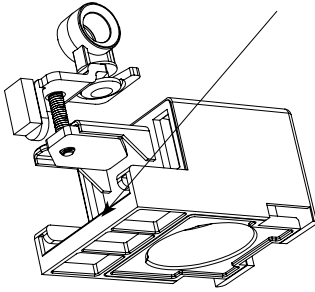
Step 17. Attach half of the Master Carrier Body to the Drive Belt & Drive Belt Clip.



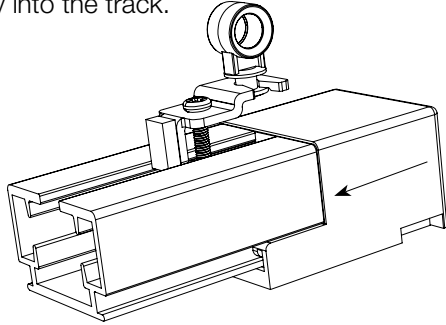
Step 18. Loosen screw, until the nut is positioned near the end.



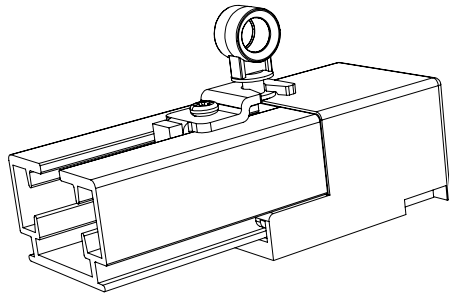
Step 19. Place the end stop into the return pulley and ensure the end stop nut is positioned as shown below.



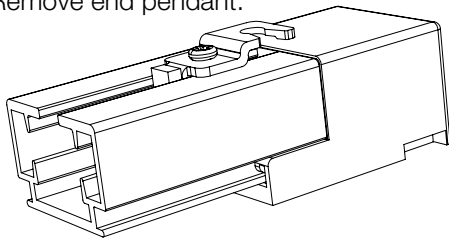
Step 20. Pull up on end stop, holding it in position. Push the return pulley into the track.



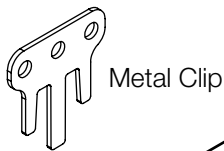
Step 21. Pull up on end stop, holding it in position and tighten the screw.



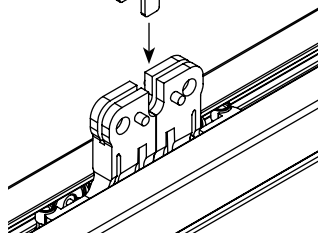
Step 22. Remove end pendant.



Step 23. Bring both Master Carrier Body halves together and insert the Master Carrier center metal clip.

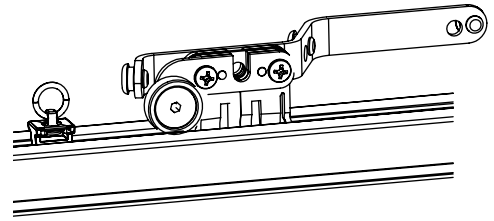


NOTE: The Master Carrier Body should move freely back and forth.

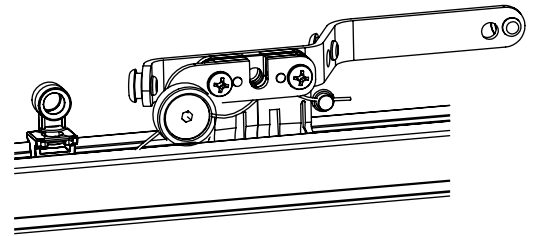
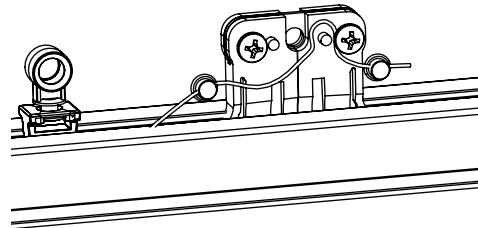


Step 24. Attach Arm to the Master Carrier Body.

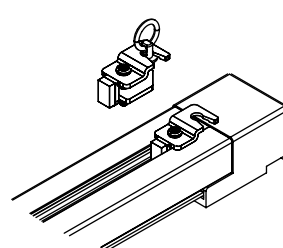
PINCH PLEAT: Fasten the Arm to the Master Carrier Body.



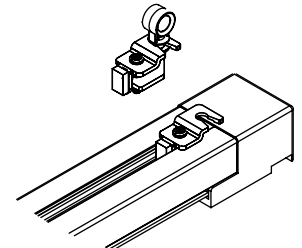
RIPPLEFOLD: Wrap the cord around the Master Carrier Body and fasten the Arm to the Master Carrier Body.



Step 25. Install the End Stop and remove Pendant.

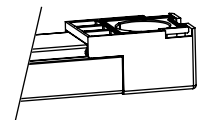
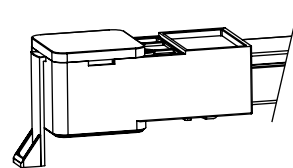


PINCH PLEAT

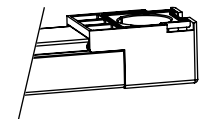
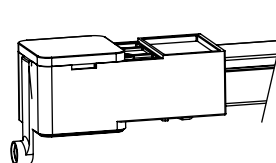


RIPPLEFOLD

Step 26. Install End Hook only on the Drive Pulley side.

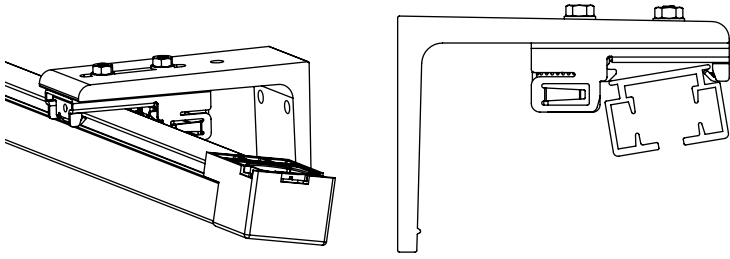


PINCH PLEAT

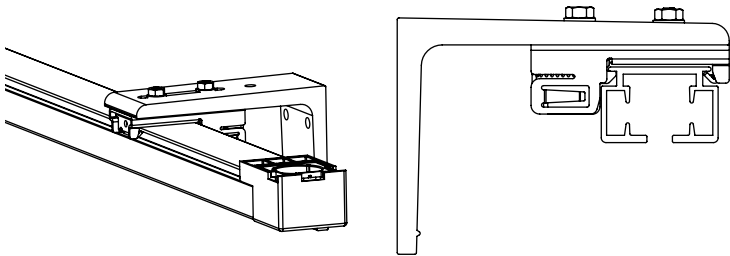


RIPPLEFOLD

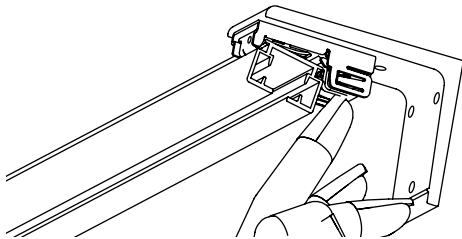
Step 27. Install system at an angle.



Step 28. Push system upward until system clicks in place.



NOTE: To release track, push release lever.



How to get started using your R-TEC Automation[®] Track System:

- Please read all the instructions provided with your Slim Drapery Motor.
- Your motor will be shipped in “sleep mode” and must be woken up before using.
- You will need a remote control or a smartphone to set up and control your Slim Drapery Motor.
- Only use power options for your motor that are available through Rowley Company.

