



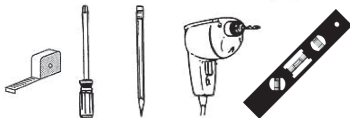
WOOD HARDWARE Installation Instructions

Cord Draw Traverse System with "C" Rings

Thank you for purchasing your new traverse system. With proper installation and care, it will provide you with many years of beauty and trouble-free use. Clean with a soft cloth. Do not use harsh or abrasive cleaning supplies or polishes which may damage the finish.

Tools Needed for Installation (not included):

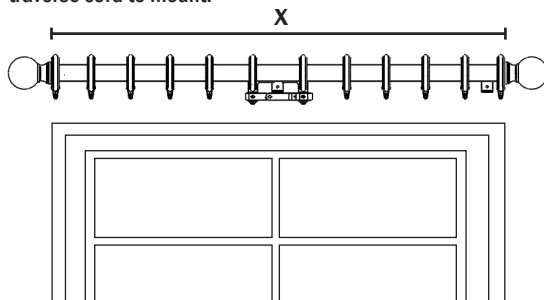
- Tape Measure
- Pencil
- Level
- Drill
- $\frac{3}{32}$ " Drill Bit (.094")
- Fine Tooth Wood Saw
- Metal Saw/Hacksaw
- #2 Phillips Head Bit or Screwdriver
- $\frac{1}{4}$ " Hex Head Driver



Assembly Note: If you ordered your track through Rowley Custom Solutions, start your installation at step 7.

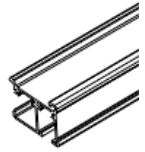
Cord Draw Traverse System with "C" Rings Installation

- Determine the width of drapery track you need. Make sure you have enough room for the finials on the end of the track assembly. Also, choose which side of the window you want the traverse cord to mount.

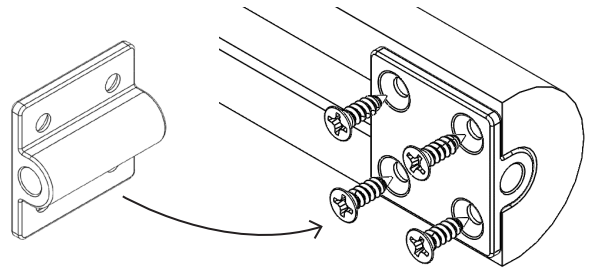


- Cut the fascia to the required length. The fascia should be cut to the dimension (X). For example, if you want a 48" drapery, the fascia should be cut to a length of 48". Use a fine tooth wood saw to cut the fascia.

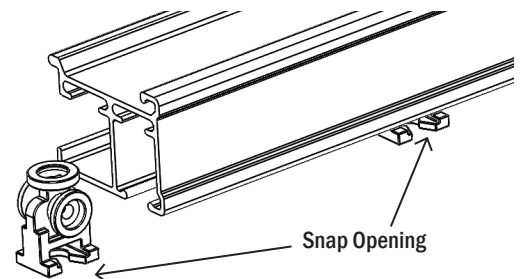
Cutting Tip: Wrap the area to be cut in masking or painters tape to protect the wood from chipping. Remove the tape after cutting the fascia.



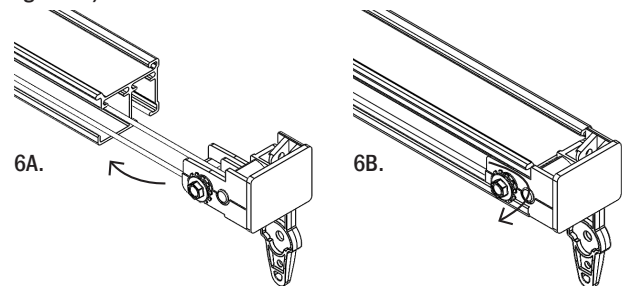
- Cut the track $1\frac{1}{2}$ " shorter than the wood fascia (X minus $1\frac{1}{2}$ "). For example, if you want a 48" wide drapery the track length should be cut to a length of 46 $\frac{1}{2}$ ". Use a metal saw/hacksaw to cut the track.
- Attach the finial clips to each end of the wood fascia as shown. Pre-drill the holes with the $\frac{3}{32}$ " drill bit so the fascia won't split and use the screws provided to secure the clip to the wood fascia. Do not over tighten.



- Thread the traversing cord through the master carriers and the end caps. See separate instructions for threading a corded traverse track. An instructional video is available on our website (www.rowleycompany.com). Install the rest of the carriers onto the track. Load the roller carriers with the snap opening to the front of the track.



- Install the end caps onto the track. (Left side shown - repeat for the right side).



Tips for Successful Installation

Securely attach all brackets to the mounting surface. If you do not locate and install into wood studs, use the proper wall fasteners and/or plastic anchors designed for your particular mounting surface (screws and plastic anchors are included). When drilling into metal, use self-tapping screws (not included).

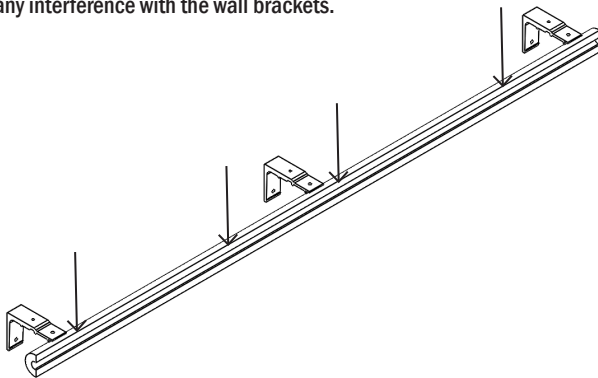
Make certain all brackets line up evenly by measuring their placement.

7. Attach the wall mounting brackets. Use two brackets at each end of the track no more than 24" apart. Then place brackets no more than 48" apart over the remainder of the track. Securely attach all brackets to the mounting surface. Mount brackets to wall studs whenever possible. Use proper fasteners designed for your particular type of mounting surface. Mount brackets to wall studs whenever possible. Use proper fasteners designed for your particular type of mounting surface. Hollow wall fasteners (sold separately) are recommended for dry wall. Use a level to make sure all brackets are lined up.

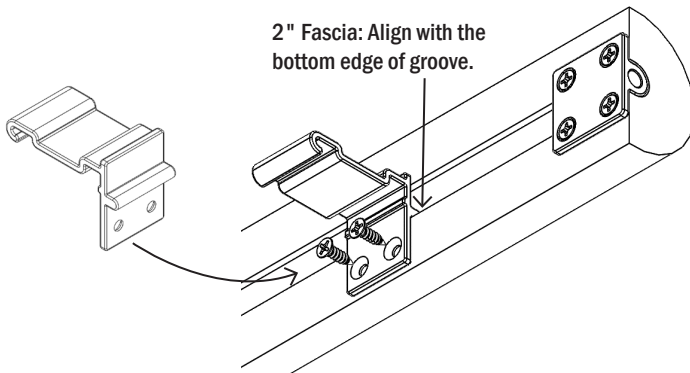
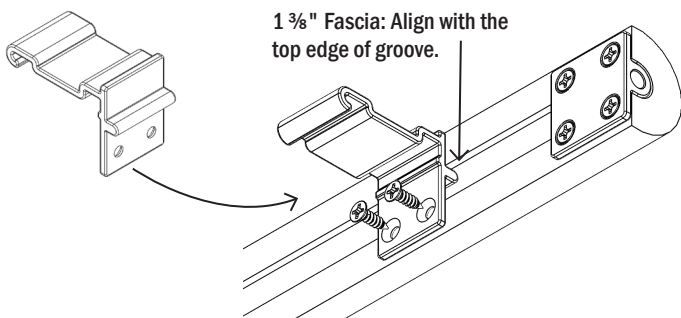
# of Brackets	3	4	5	6
Maximum Track Length (ft.)	4'	6 1/2'	10 1/2'	12'

8. To determine the location for the fascia mounting clips, hold the fascia up to the mounted brackets. Mark the fascia clip locations on back side of the fascia with a pencil.

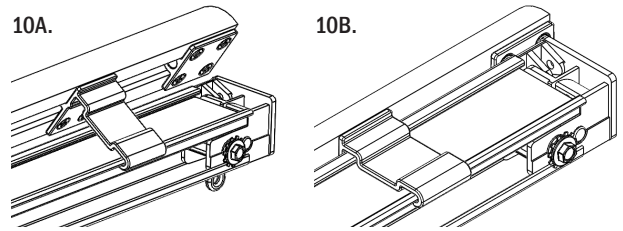
*Clips should be placed no more than 36" apart and spaced to avoid any interference with the wall brackets.



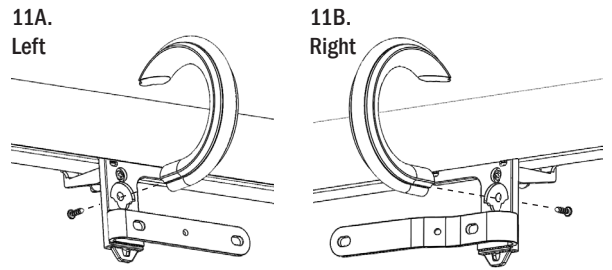
9. Attach the fascia clips at your marked locations onto the back of the wood fascia as shown below. Align the front locating tab on the fascia clip to the top edge of the slot when using a 1 3/8" fascia. Align the front locating tab on the fascia clip to the bottom edge of the slot when using a 2" fascia. Pre-drill the holes with the 3/32" drill bit so the fascia won't split and use the screws provided to secure the clip to the wood fascia. Do not over tighten.



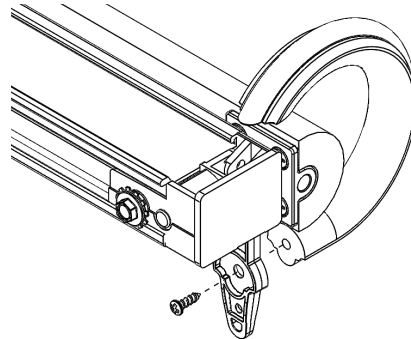
10. Hook the fascia clips over the back of the track and push down on the top of each of the clips until all the clips snap into place. The fascia should overhang each end of the track assembly by 1/8".



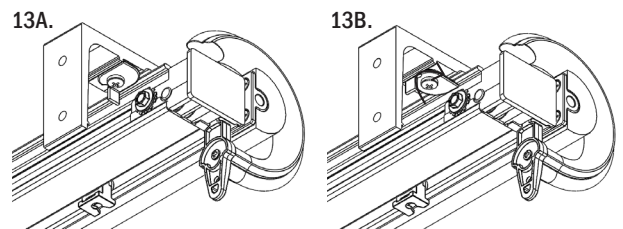
11. Attach the "C" Rings onto the Master Carriers.



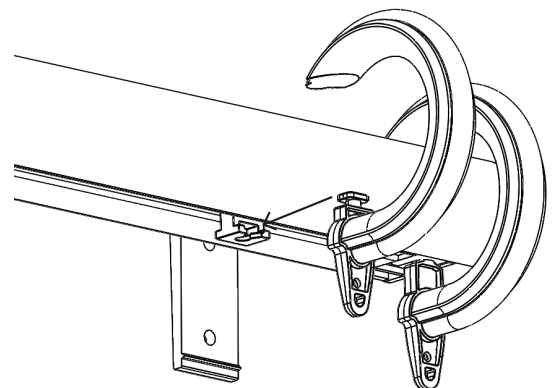
12. Attach the "C" Rings onto both end caps. (Left side shown - repeat for the right side).



13. Lift the track assembly onto the wall brackets and secure in place.

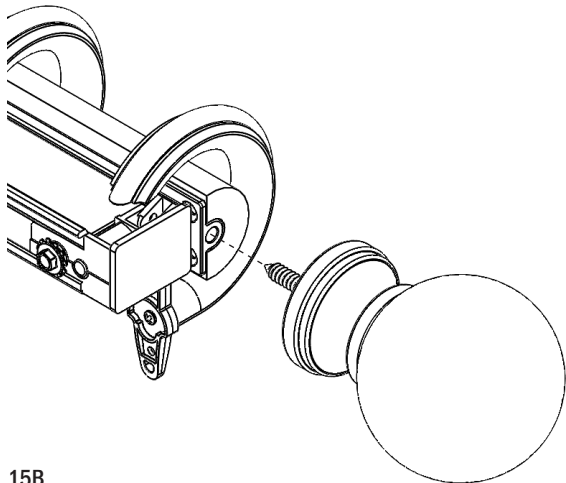


14. Snap the "C" Rings onto the roller carrier bodies.

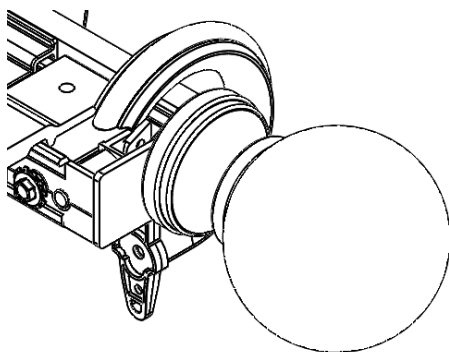


15. Install the finials onto both ends of the wood fascia by screwing the finials into the fascia clips. Tighten the finial until it contacts the track end cap.

15A.



15B.



16. Install the Cord Tension Device. See the instructions included with the Cord Tension Device.