

EZ Rise Cordless Roller Spring Shades Installation Instructions

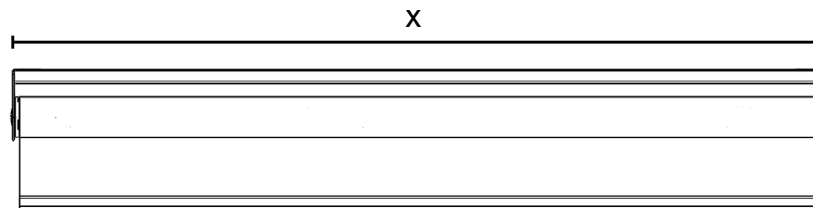
TOOLS REQUIRED:

- Tape Measure
- Pencil
- Level
- Metal Saw/Hacksaw
- Pipe or Tubing Cutter (optional)
- #2 Phillips Head Screwdriver

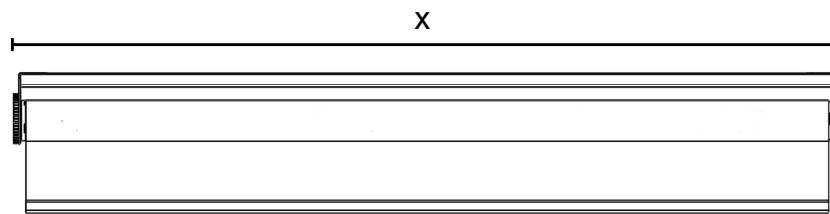
EZ RISE CORDLESS ROLLER SPRING SHADES INSTALLATION INSTRUCTIONS: PLEASE READ ALL INSTRUCTIONS CAREFULLY BEFORE ASSEMBLING YOUR SYSTEM

Assembly Note: If you ordered your shade through Rowley Custom Solutions, start your installation at step 5.

- Determine the required overall width of the Roller Shade (outside of bracket to outside of bracket).

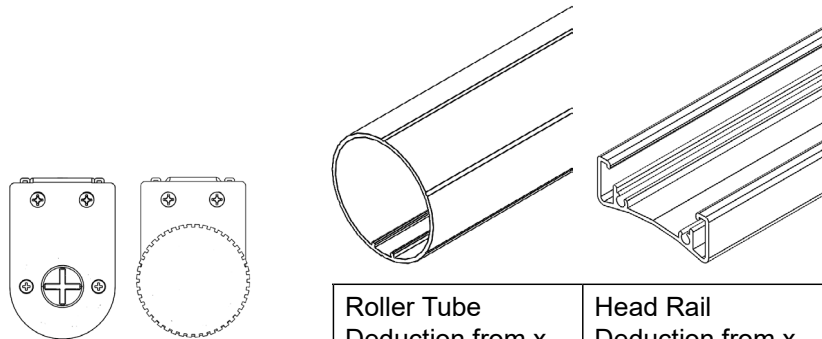


With Slotted Brackets



With Wheeled Brackets

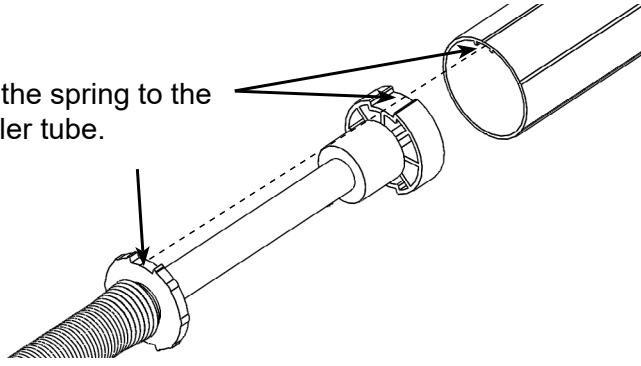
- Cut the roller tube and the head rail to the proper lengths based on the chart below.



	Roller Tube Deduction from x	Head Rail Deduction from x
Using Slotted Brackets	3/4"	1/4"
Using Wheeled Brackets	1"	1/2"

3. Install the spring into the roller tube. Press the spring all the way in until the shoulder of the spring contacts the tube.

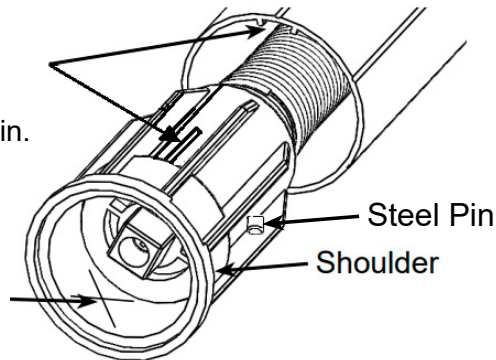
3A. Line up the grooves on the spring to the matching ribs on the roller tube.



3B. Line up the short rib between the ribs on the roller tube.

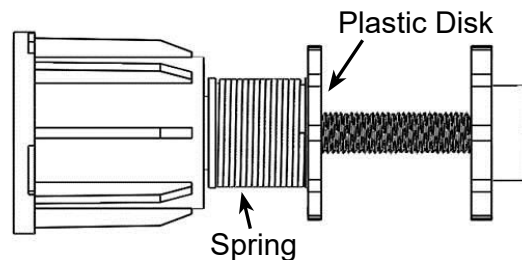
NOTE: The position of the Steel Pin.

3C. Mark the spring end of the roller tube assembly with a marker so you can identify the spring end of the assembly for future reference.

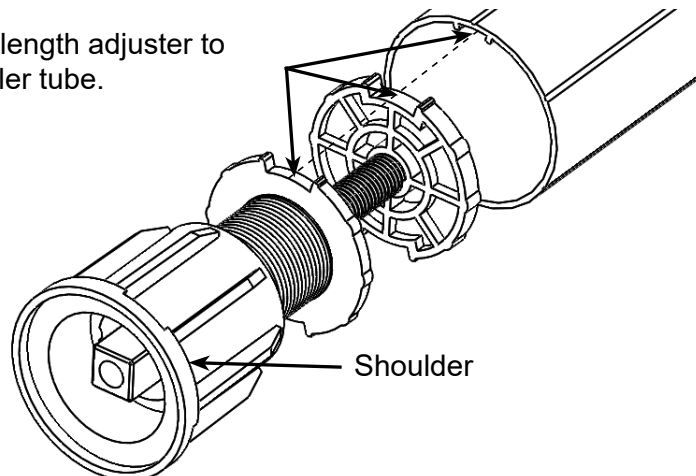


4. Install the length adjuster into the roller tube. Press the length adjuster all the way in until the shoulder of the length adjuster contacts the tube.

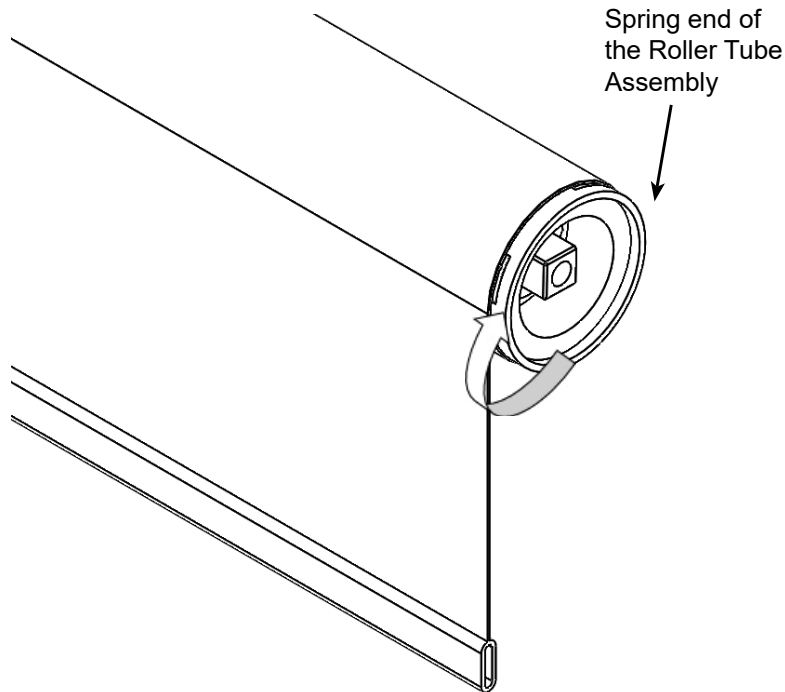
4A. Before inserting the length adjuster into the roller tube, make sure the plastic disk is touching the spring. If not, rotate the disk clockwise until it touches the spring. Do not over tighten.



4B. Line up the grooves on the length adjuster to the matching ribs on the roller tube.



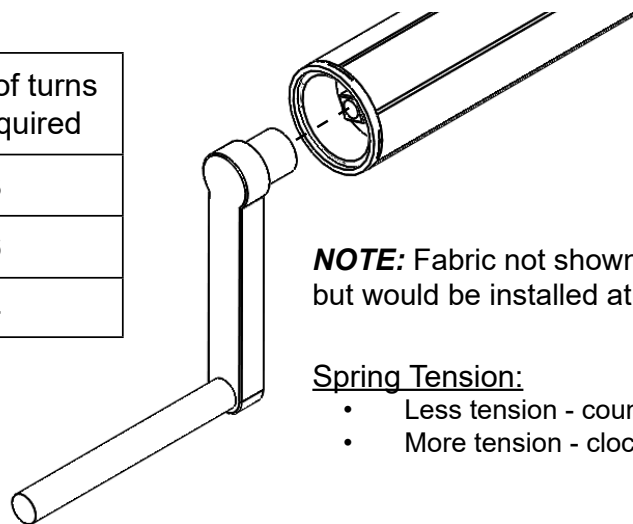
5. Attach the fabric to the roller tube assembly by removing the fabric attachment tape from roller tube and roll your fabric onto the tube in the direction shown below. Your fabric should be a foot longer than your required shade length so that approximately 3 layers of fabric are left of the roller tube when the shade is pulled down to its desired length.



- 5A. The spring end of roller tube assembly should be rotating clockwise as you roll the fabric onto the roller.

6. Lay the tube assembly onto a flat surface. Pretension the spring by inserting the spring crank onto the spring on the spring end of the tube assembly. While holding onto the tube assembly, turn the crank clockwise. Use the chart below to determine the number of times you turn the spring crank. Before removing the crank let the handle rotate backwards quickly roughly $\frac{1}{4}$ turn to set the spring tension lock. The roller tube assembly must be horizontal for the spring tension lock to work properly. Usually more tension/turns are needed initially.

Shade Length/Drop	# of turns required
Up to 4'	18
From 4' to 6'	16
From 6' to 8'	14



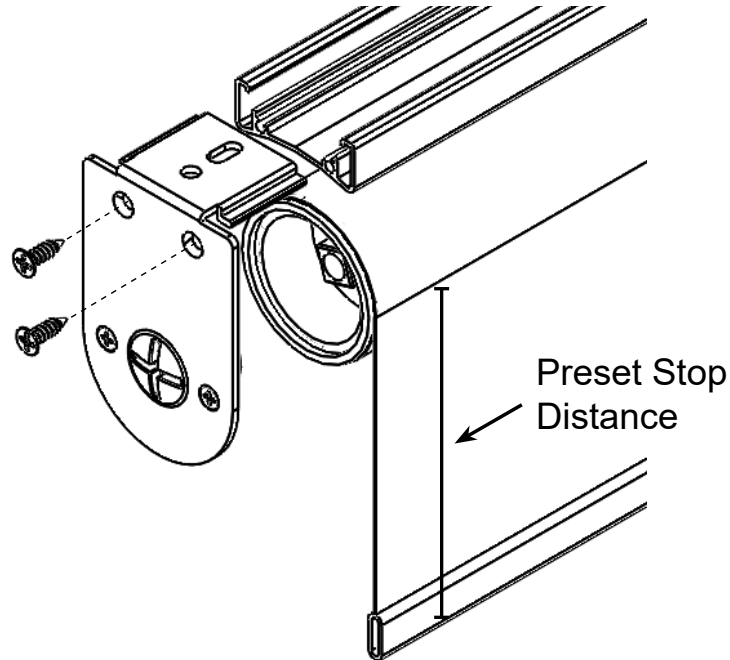
NOTE: Fabric not shown for clarity, but would be installed at this point.

Spring Tension:

- Less tension - counter clockwise
- More tension - clockwise

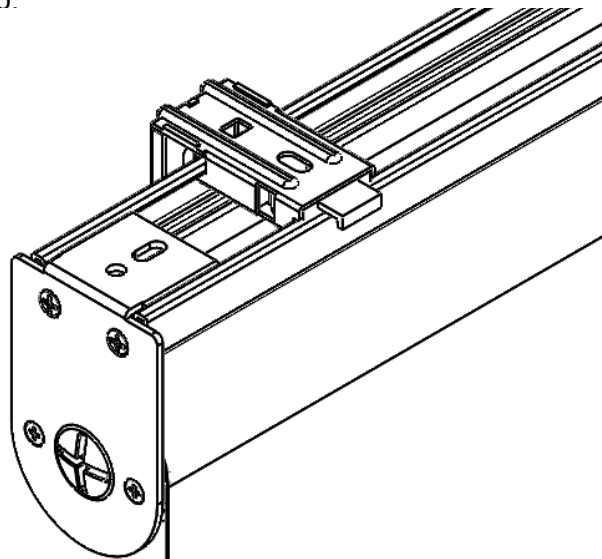
7. If you want the shade to stop at a set distance from the top, unroll the fabric to that preset distance before you install the end brackets. Slide the end brackets into the head rail and onto the tube assembly.

Secure into place using the screws provided with the end brackets. (One side is shown...repeat for the other side). Be careful not to release the spring tension when installing the end bracket onto the spring end of the tube assembly. If the spring tension is released, repeat Step 6.



8. Attach the wall mounting brackets. Use a bracket at each end of the track between 1" and 3" from the end of the head rail. Then place brackets no more than 24" apart over the remainder of the track. Securely attach all brackets to the mounting surface.

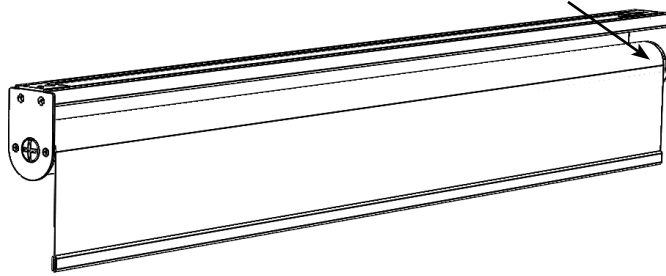
Mount brackets to wall studs whenever possible. Use proper fasteners designed for your particular type of mounting surface. Hollow wall fasteners (sold separately) are recommended for dry wall. Use a level to make sure all brackets are lined up.



9. After the brackets have been installed, but before you hang your shade, decide if you prefer a front mount or reverse mount roller shade.

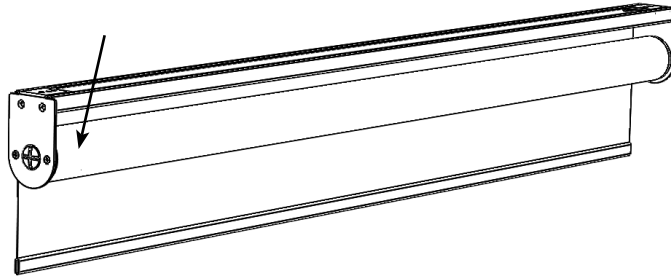
9A. **Front Mount (Reverse Mount):** Fabric off the front of the roller.

On the front mount, the spring should be located on the right side of your roller tube assembly.

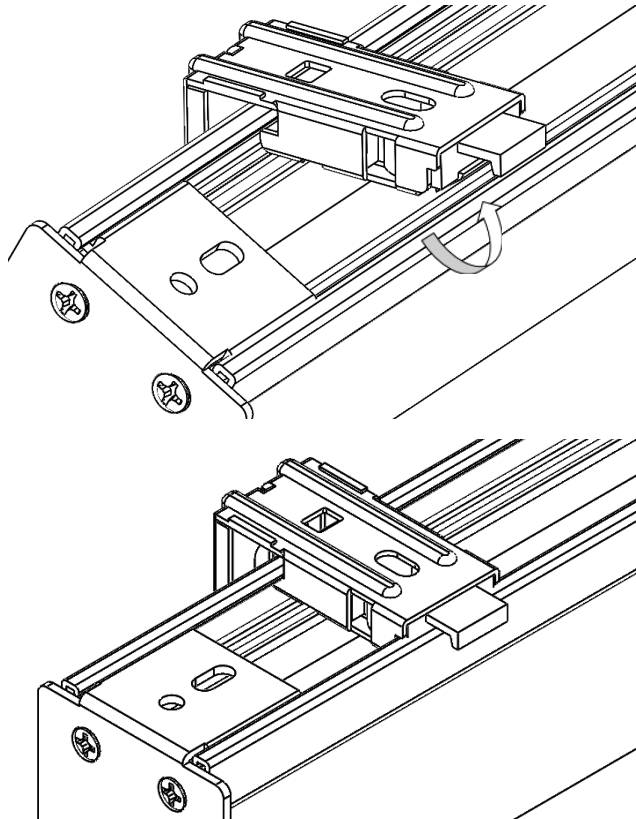


9B. **Regular Mount (Standard Mount):** Fabric off the back of the roller.

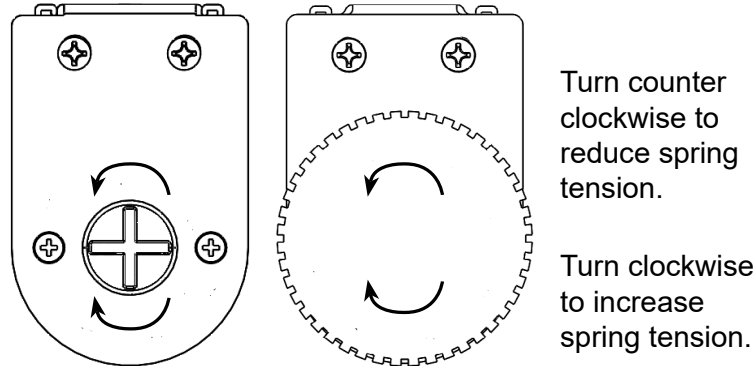
On the reverse mount, the spring should be located on the left side of your roller tube assembly.



10. Lift the shade assembly up to the wall brackets. Hook the back side of the head rail onto the back side of the wall brackets. Then, rotate the shade assembly up until it snaps into each of the wall brackets.



11. Test the shade operation by lowering and raising the shade a couple times. If the shade doesn't rise all the way up or if it goes up too fast you may need to adjust the spring tension. To add more spring tension use one hand to hold onto the roller tube assembly and turn the tension adjuster on the end of the tube assembly that has the spring. Use a flat head screwdriver or a coin to adjust the slotted bracket. Use your hand to turn the wheeled bracket.



12. You can adjust the stopping location of your shade after it has been installed by following these steps. Use the end of the roller tube assembly that you inserted the length adjuster.
- **If you want the shade to stop further down:** Pull the shade down to the point you want the up stop position to be and use one hand to hold the roller tube assembly in that location. Turn the adjustment (slot or wheel) clockwise until you feel the adjustment start to get tight. Don't overtighten. Cycle the shade up and down to check the position.
 - **If you want the shade to stop further up than your initial up stop position:** Use one hand to hold the roller tube assembly and turn the adjuster (slot or wheel) counter clockwise by $\frac{1}{4}$ turn. Cycle the shade up and down to check the position.
 - Pull to length.
 - Turn clockwise to set.
 - Turn counter clockwise to re-adjust.