

Stringing the Cord Idler (Stock# CL20)

- The Cord Idler is designed to work with all three sizes of our Lift Cord: 0.9 mm (Stock# LC9), 1.4 mm (Stock# LC14) and 1.8 mm (Stock# LC18).
- The maximum number of Lift Cords per Cord Idler is 6.
- Fast and Easy to install. Cord Idler also swivels forward and backward to allow smooth operation of the shade.
- Cord Idler can be mounted right or left side of the Cord Lock.
- The Cord Idler can be used for Roman, Austrian, Hobbled and Balloon shades.

Method #1-Stringing the Cord Idler using our Suggested Method of Making Fabric Shades:

Fig. 1 shows our suggested method of making fabric shades. To get best possible light blocking, attach the face fabric to the back of dustboard and use a valance to hide the Cord Lock & Idler. Lift Cords can route to the backside of the shade thru grommets. When arranging placement of encased lift cord, try to achieve a typical spacing of 8" to 12" between vertical rows. Use an Idler at each row of shade rings. When mounting Idlers to the dustboard, try to align with rows of encased lift cord. Next, string Cord Lock. After completely stringing Cord Lock, mount Cord Lock to the dustboard. Route all lift cords through Idlers. Idlers located closer to the cord lock can support lift cords for Idlers farther away from the Cord Lock. Securely tie each lift cord to bottom ring of each row. When the shade is all the way down, knot all lift cords together as close as possible to the Cord Lock. Test Cord Lock and Idlers by moving the shade up and down.

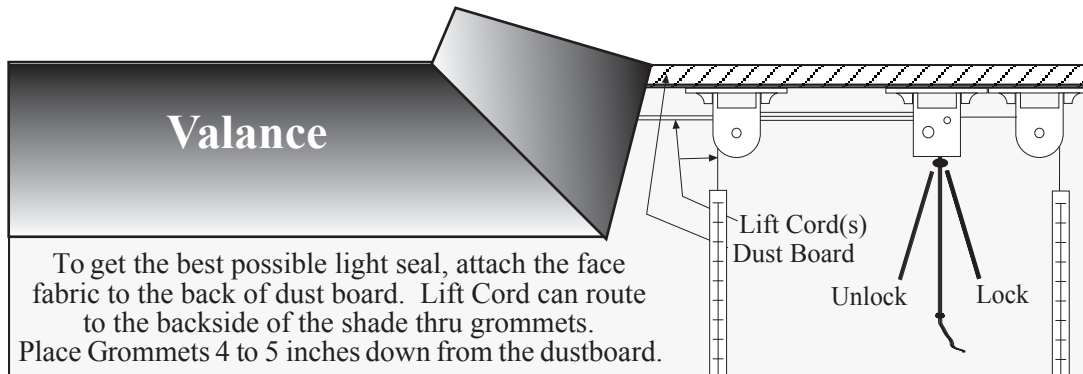


Fig 1. Our Suggested Method of Making A Fabric Shades With Idlers.
(View From Front of Shade.)

Method #2-Stringing the Cord Idler using an Alternative Method of Making Fabric Shades:

Fig. 2 Mount fabric on to the front edge of the dustboard. Note unless this is mounted completely inside a window casing, there will be a bigger light gap around the edges of the shade when using this method. When arranging placement of encased lift cord, try to achieve a typical spacing of 8" to 12" between vertical rows. Use an Idler at each row of encased lift cord. When mounting Idlers to the dustboard, try to align with the encased lift cord. Next, string Cord Lock. After completely stringing Cord Lock, mount Cord Lock to the dustboard. Route all the lift cords through Idlers. Idlers located closer to the cord lock can support lift cords for Idlers further away from the Cord Lock. Securely tie each lift cord to bottom ring of each row. When the shade is all the way down, knot all the lift cords together as close as possible to the Cord Lock. Test the Cord Lock and Idlers by moving the shade up and down.

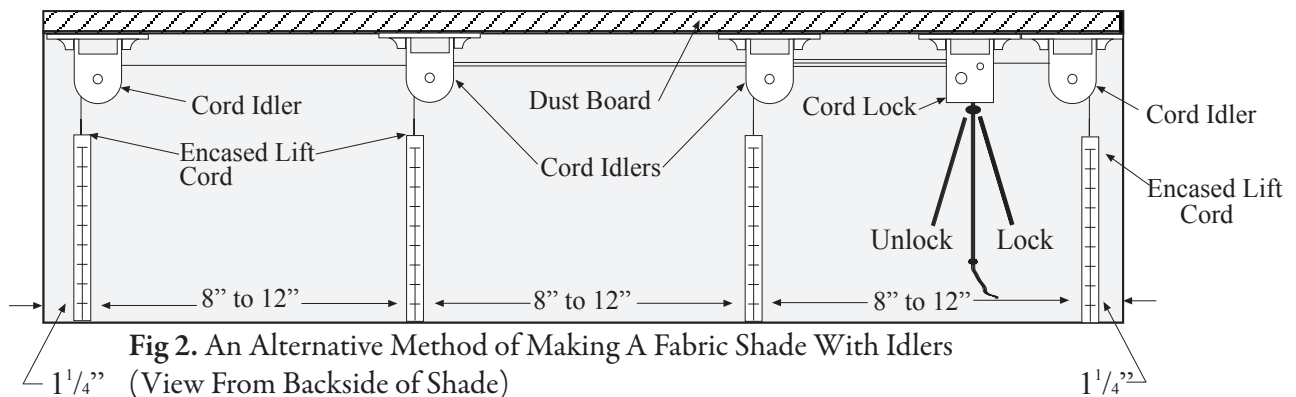


Fig 2. An Alternative Method of Making A Fabric Shade With Idlers
(View From Backside of Shade)