

# Chain Safety Shields Installation Instructions

## Using Bead Chain

Please read all instructions before starting

### INTRODUCTION

Our **Chain Safety Shields** have been designed to create a simple and effective solution for any existing clutched-based shading systems. Shields encase the chain, leaving only 8" of cord available to easily control the shade.

Chain Safety Shields ensure clutch-operated shades are compliant with the child safety standards by Health Canada, the WCMA (Window Covering Manufacturers Association) and the CPSC (Consumer Product Safety Commission).

### FEATURES

- Simple and effective retrofit solution for any existing clutch-based shade systems.
- Utilize RA clutches with chain for a child safe solution with no more than 8" of chain exposed.
- CPSC (Consumer Product Safety Commission) & WCMA (Window Covering Manufacturers Association) Compliant.
- Sold in pre-cut, pre-drilled lengths. Quick and easy to assemble.
- UV Resistant in Clear.



### COLOR RANGE



Clear

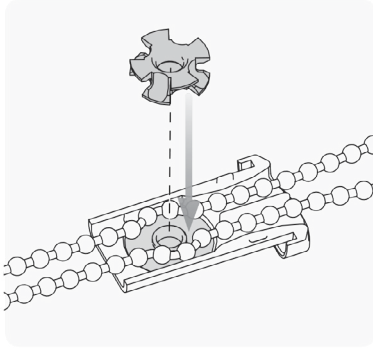
### OPTIONS

Item #	Description
CHSH08/CL	Chain Shield 8" (for 2' Chain Loops), Clear
CHSH20/CL	Chain Shield 20" (for 3' Chain Loops), Clear
CHSH32/CL	Chain Shield 32" (for 4' Chain Loops), Clear
CHSH44/CL	Chain Shield 44" (for 5' Chain Loops), Clear
CHSH56/CL	Chain Shield 56" (for 6' Chain Loops), Clear
CHSHF/CL	Chain Shield Funnel (4 pieces / shade), Clear
CHSHW	Chain Shield Wheel (1 piece / shade), Natural
CHSHBPS/CL	Chain Shield Binding Post Set (2 sets / shade), Clear
CHSHDGJ	Chain Shield Drill Guide Jig, Steel
CHSHSJ	Chain Shield Spacing Jig, Plastic

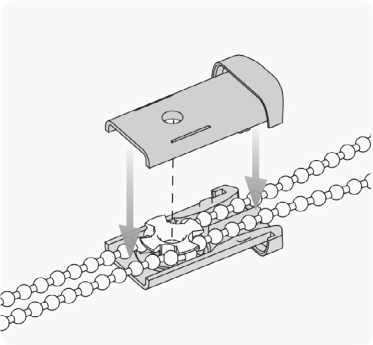


**ASSEMBLY**

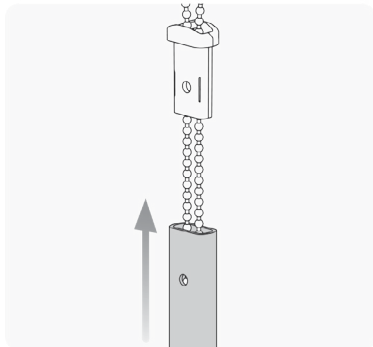
**Step 1.** Ensure that the length of the Bead Chain measures 8" out from the end of the Funnel to attach around the end of the Clutch. Place the Wheel into the Funnel so that it aligns with the hole and engages with the Bead Chain.



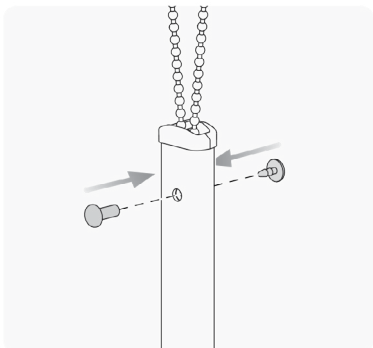
**Step 2.** Place the other half of the Funnel over the Bead Chain and Wheel, ensuring that the hole is aligned.



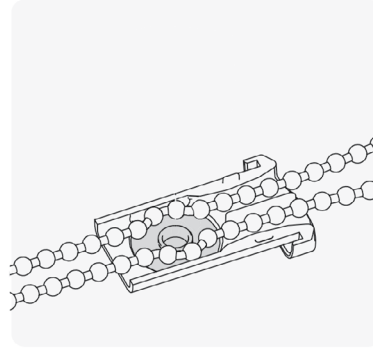
**Step 3.** Slide the Safety Shield through the Bead Chain and over the Funnels, making sure the hole in the Shield and Funnels are aligned.



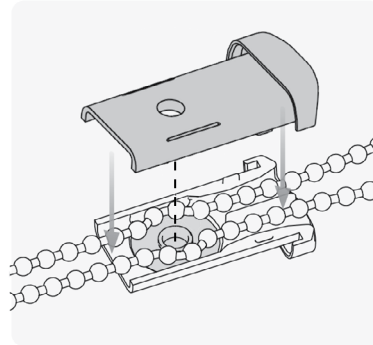
**Step 4.** Press the Binding Posts together through the hole in the Shield and Funnels.



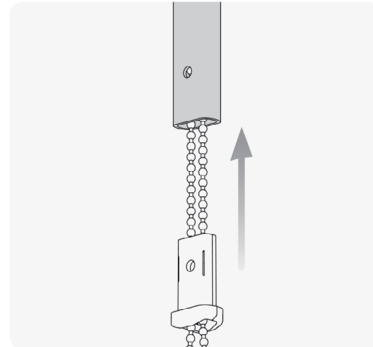
**Step 5.** On the bottom end of the Safety Shield, ensure that the length of the Bead Chain measures 8" out from the end of the Funnel. Place the Bead Chain into the Funnel.



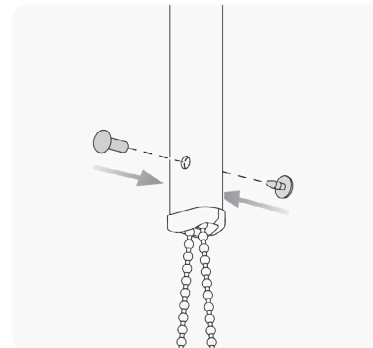
**Step 6.** Place the other half of the Funnel over the Bead Chain, ensuring that the hole is aligned.



**Step 7.** Slide the Funnel up into the Safety Shield, making sure the hole in the Shield and Funnels are aligned.



**Step 8.** Press the Binding Posts together through the hole in the Safety Shield and Funnels.



**Step 9.** Attach the top end of the Bead Chain around the Clutch drive wheel. Test the operation of the shade by pulling on the bottom loop of Bead Chain.

**ONE-HANDED OPERATION.**

Simply pull the exposed chain.

