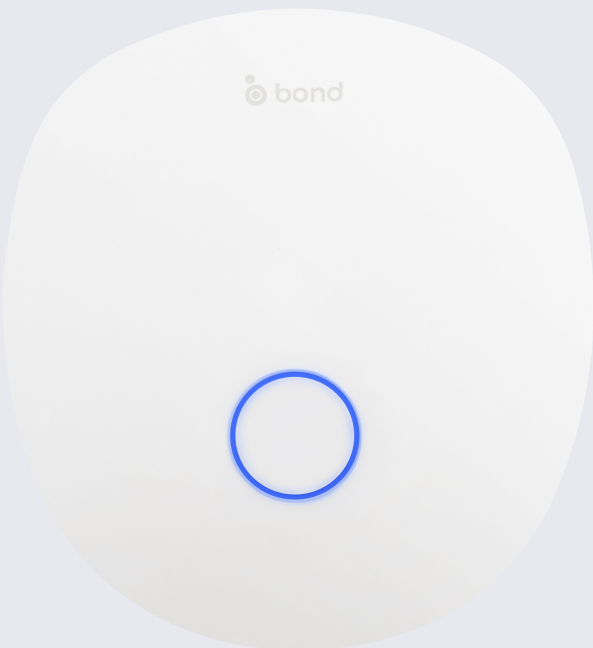


bond Bridge **PRO**

for Pro Installers!

model number: BD-1750



The Quick Read

- ✓ Bond Bridge Pro (BD-1750) is a Sub GHz to Wifi (TCP/IP) Bridge
- ✓ Cover remote controls between 300MHz - 450MHz*
- ✓ Somfy, all ceiling fans, and fireplaces
- ✓ 2.4GHz Wi-Fi, Ethernet + POE
- ✓ Extended warranty
- ✓ Drivers for C4, Elan, RTI, URC and more
- ✓ Live tech support

The Whole Story

The Pro Installer market has spoken, and we listened: Bond Bridge Pro is our new low frequency RF to Wi-Fi/ Ethernet bridge with a new look and new functionality.

It was created and designed for Pro Installers who demand to take the experience of using a Smart Bridge to the next level. It is an easier, faster, and more powerful way to connect RF controlled devices in a smart home automation portfolio.

The setup is quick and easy, and there is no need for workarounds or complicated drivers in order to connect ceiling fans, fireplaces or shades.

Just mount the Bond Bridge Pro to the wall or ceiling in a central location, to allow for full coverage and control of RF devices within the entire home. And, with PoE and ethernet, it allows a fully hard-wired integration.

And we are Open! Our open API allows integrations with all home automation systems.

Supported Devices



Ceiling fans


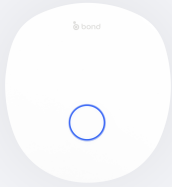


Motorized shades




Fireplaces

*"Bond", and "Bond Bridge Pro" are trademarks of Olibra, LLC. All other brand names are trademarks of their respective owners.

| Bond Bridge vs. Bond Bridge Pro | |  |  |
|--|--|---|---|
| | | Bond Bridge | Bond Bridge Pro |
| Range | | 2,500 sq ft | 3,500 sq ft |
| Can control up to | | 30 devices | 50 devices |
| Warranty | | 1 year | 3 years |
| Ethernet connectivity | | ✗ | ✓ |
| Power Over Ethernet - PoE | | ✗ | ✓ |
| Ceiling and Wall mount | | ✗ | ✓ |
| Works with Sidekick | | ✗ | ✓ |
| RF | | ✓ | ✓ |
| IR | | ✓ | ✗ |
| Open Local API | | ✓ | ✓ |
| In-App Live Customer Support | | ✓ | ✓ |

Works With

- Control 4
- Nice Home
- RTI
- URC
- Savant
- Crestron
- Hey Google
- Amazon Alexa
- SmartThings
- Somfy
- Rollease Acmeda
- Nice

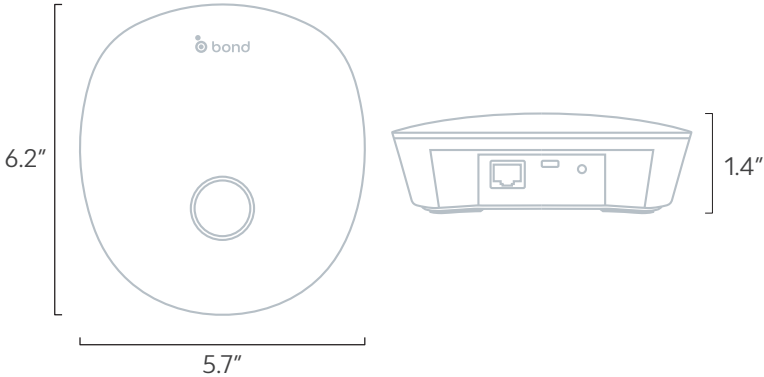


And many more! Check out the ever growing list of brands that Bond Bridge Pro work with

RF Frequency 300–450 MHz* **Power** 3VDC/1W or PoE **RF Reach** 3,500 sq ft

Connectivity 2.4 GHz Wi-Fi or Ethernet **Cable Length** 6 ft

Dimensions & Weight



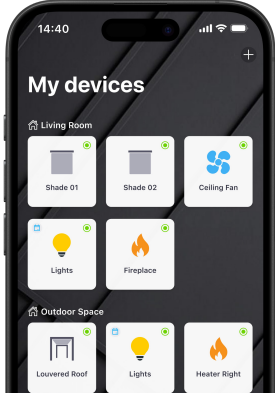
Total: 1.4" H x 5.7" W x 6.2" D Weight: 7.2 oz

Easy and quick setup

Setting up devices on the Bond Home app takes only 30 sec per device

 GET IT ON **Google Play**

 Download on the **App Store**



* Frequency range for the North America region is restricted, with bands 321.5–336.0 MHz & 399.5–410.5 MHz unavailable. In Australia only bands 433.05–434.79 MHz are supported. In EU, supported bands 433.05–434.79 MHz, Maximum Power: -1.7 dBm, Connectivity: 2.4 GHz Wi-Fi 2412–2472 MHz