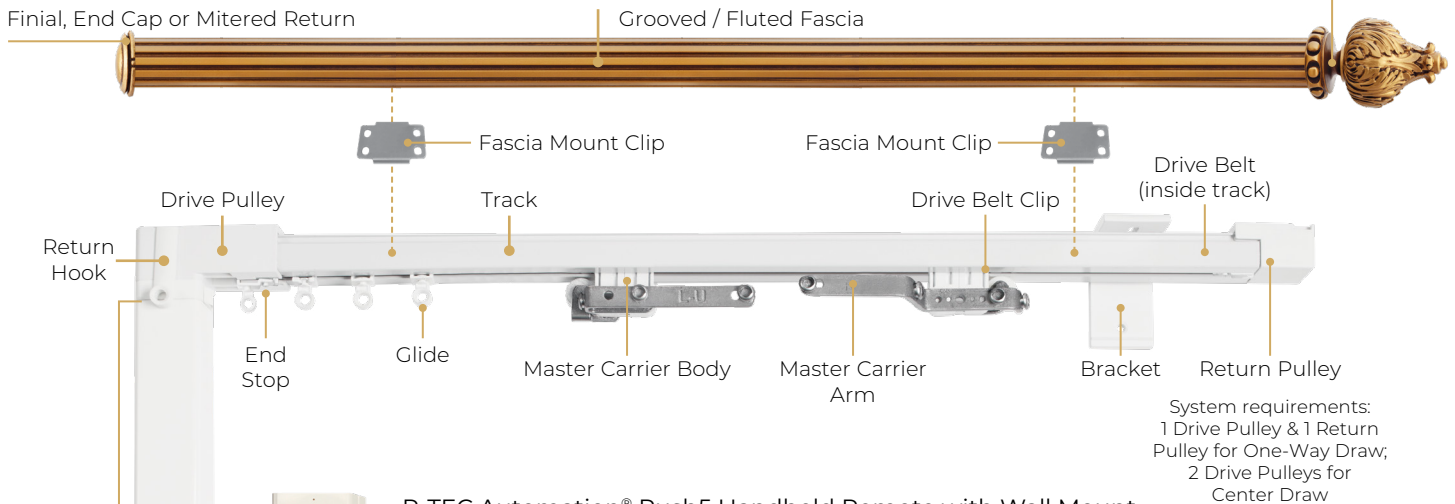


R-TEC Motorized Heavy Duty Traverse | Ordering Info

Finial, End Cap or Mitered Return



System requirements:
1 Drive Pulley & 1 Return Pulley for One-Way Draw;
2 Drive Pulleys for Center Draw



R-TEC Automation® Push5 Handheld Remote with Wall Mount

RTMHR5C

5 Channel Remote with simple buttons.

- 4 3/4" H x 2" W x 3/8" D
- 1 Remote Control per system
- Range: 65'
- Programmable Favorite Position to set your favorite drapery position
- Off-White

Slim Drapery Motor* (can be top mounted)

*Tandem alternative option available.

Li-ion Battery shown (110v AC/DC Power Transformer option available)



1 Select your System

Single or double system.



2 Select your Track Color

White or bronze.



3 Select your Motor Power

Pick from Li-ion Battery or 110v AC/DC Power Transformer.



4 Select your Drapery Style, Draw & Master Carrier

Pinch Pleat or Ripplefold. One-Way Draw Right or Left, or Center Draw. Overlap or Butt Master.



Pinch Pleat

- Color: White or Bronze.



Ripplefold

- Color: White or Bronze.
- 60%, 80%, 100% and 120% fullness available; please specify on order.
- Overlap Master Carriers are standard.
- Butt Master Carriers available, allowing some light to filter between draperies on center draw treatments. Must be specified for substitution.



5 Select your R-TEC Smart Controls

System includes a Push 5 channel handheld remote with wall mount. Take your drapery control to the next level by upgrading to the R-TEC Hub to integrate your draperies with whole home and voice control systems.



6 Select your Fascia & Finish

1 3/8", 1 7/8", 2 1/2" or 2 3/4" fascia with smooth, reeded, grooved / fluted, slim round smooth, flat smooth profile or mitered returns. Choose from 35 Portfolio finishes, 5 Wood & Resin finishes or PTH Perfect Match™. Finials are sold separately. 1 3/8" or 2 3/4" Portfolio and Quick Ship Wood and Resin finials are compatible.