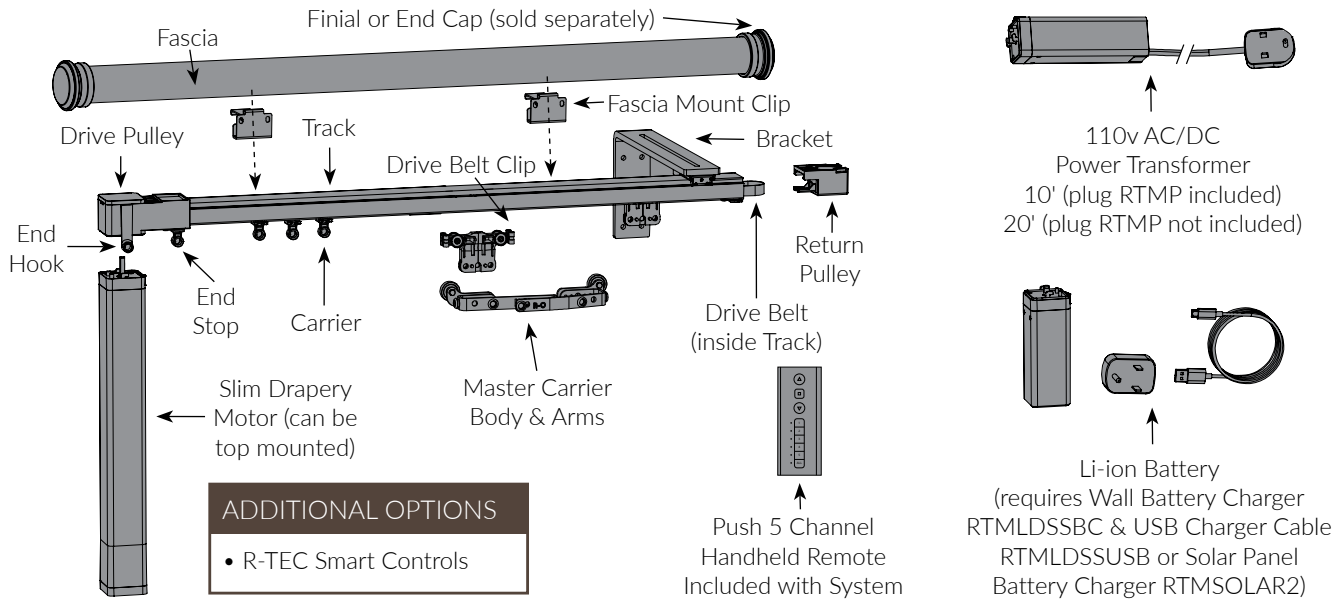




# FINESTRA® WOOD R-TEC TRAVERSE SYSTEMS



## 1 – CHOOSE YOUR SYSTEM QUANTITY & LENGTH

Let our in-house experts know how many systems to assemble, custom cut to your exact specification. Minimum 37" excluding Finials. Track lengths up to 19' continuous and 36' spliced. Fascia lengths up to 12' continuous and 36' spliced.

## 2 – CHOOSE YOUR TRACK INFORMATION

Select from Single or Double Wall Mount with various projection options. If Double is selected, complete Back Track information if different from Front Track.

## 3 – CHOOSE YOUR TRACK COLOR

Select from White or Bronze. Components will match Track Color unless otherwise noted.

## 4 – CHOOSE YOUR MOTOR POWER

Select from Li-ion Battery or 110v AC/DC Power Transformer.

## 5 – CHOOSE YOUR DRAPERY STYLE, DRAW & MASTER CARRIER

Select from Pinch Pleat or Ripplefold; One-Way Draw Right or Left, or Center Draw; Overlap Master Carriers are standard, or Butt Master Carrier option can be substituted if Ripplefold Drapery Style is selected.

### PINCH PLEAT

- Carriers available in White or Bronze. Please specify number of carriers.



### RIPPLEFOLD

- Carriers available in White or Bronze. 60%, 80%, 100% or 120% fullness available; please specify fullness on order.
- Butt Master Carriers available, allowing some light to filter between draperies on center draw treatments.



## 6 – CHOOSE YOUR FINISH, FASCIA STYLE / SIZE & FINIALS

5 Quick Ship and 2 Custom Shimmer Finishes. 1 3/8" or 2" Smooth or Reeded Fascia. Finials or End Caps sold separately.

## 7 – CHOOSE YOUR R-TEC SMART CONTROLS

System includes a Push 5 Channel Handheld Remote with Wall Mount. Take your drapery control to the next level by upgrading to the R-TEC Hub to integrate your draperies with whole home and voice control systems.



# FINESTRA® WOOD HARDWARE R-TEC TRAVERSE SYSTEM

REV January 1, 2024

ACCOUNT # \_\_\_\_\_



Wall Mount | Pinch Pleat or Ripplefold

Company \_\_\_\_\_ Contact \_\_\_\_\_ Date \_\_\_\_\_  
 Street Address \_\_\_\_\_ Person to contact with technical questions \_\_\_\_\_  
 City \_\_\_\_\_ State \_\_\_\_\_ Zip \_\_\_\_\_ PO \_\_\_\_\_ Phone \_\_\_\_\_  
 Email \_\_\_\_\_ (required for shipping confirmation)  
 Ship to (if different from above) \_\_\_\_\_ Attn \_\_\_\_\_  
 Street Address \_\_\_\_\_ City \_\_\_\_\_ State \_\_\_\_\_ Zip \_\_\_\_\_

### PLEASE COMPLETE ITEMS 1 THROUGH 13.

For assistance, call Customer Service at 866.985.3423.  
Email completed form to [rtecautomation@RowleyCompany.com](mailto:rtecautomation@RowleyCompany.com).

**1** Total number of systems to be made to these specifications.  (Use another order form for systems with different specifications)

**2** FRONT TRACK INFORMATION  
 Track/Bracket  WHITE  BRONZE  
 Color:  WHITE  BRONZE  
 LENGTH \_\_\_\_\_ ft. \_\_\_\_\_ in.  
 Minimum 37" excluding Finials  
 Single: CSRTFSW138 CSRTFSW200  
 Double: CSRTFSW138DBL CSRTFSW200DBL  
 Components will match Track Color unless otherwise noted.  
 Single Wall Mount  Double Wall Mount  
 3 1/2" - 4"  2 1/2" - 6 1/4"  2 1/2" - 6 1/4"  3 1/2" - 11"

**3** MOTOR & COMPONENTS  
 Li-ion Battery (Includes Charger)  110v AC/DC Power Transformer  110v AC/DC Power Transformer 20' | \$75.00  
 Solar Panel | \$120.00  10' (Plug RTMP included)  3 Conductor Male Plug | \$25.00

**4** DRAPERY STYLE  WHITE  BRONZE  
 PINCH PLEAT # \_\_\_\_\_  RIPPLEFOLD select fullness:  60%  100%  
 CP40 Carriers Roller Carriers  80%  120%

**5** DRAW & MASTER CARRIER  
 ONE-WAY RIGHT (Motor right)  ONE-WAY LEFT (Motor left)  CENTER DRAW  
 Motor right  Motor left  OVERLAP MASTER  
 BUTT MASTER (Ripplefold Only)

**6** FASCIA  
 STYLE:  Smooth  Reeded FINISH:  ES  MA  WA  PE  AW  
 SIZE:  1 3/8"  2" \*CUSTOM SHIMMER:  GOLD /GS  SILVER /SS

**7** IS THIS BUILD A DOUBLE TRACK?  Yes  No \*If yes, please complete items 8 through 13. If no, please skip to items 12 - 13.

**8** BACK TRACK INFORMATION  
 Track/Bracket  WHITE  BRONZE  
 Color:  WHITE  BRONZE  
 LENGTH  ft.  in. Components will match Track Color unless otherwise noted.

**9** MOTOR & COMPONENTS  
 Li-ion Battery (Includes Charger)  110v AC/DC Power Transformer  110v AC/DC Power Transformer 20' | \$75.00  
 Solar Panel | \$120.00  10' (Plug RTMP included)  3 Conductor Male Plug | \$25.00

**10** DRAPERY STYLE  WHITE  BRONZE  
 PINCH PLEAT # \_\_\_\_\_  RIPPLEFOLD select fullness:  60%  100%  
 CP40 Carriers Roller Carriers  80%  120%

**11** DRAW & MASTER CARRIER  
 ONE-WAY RIGHT (Motor right)  ONE-WAY LEFT (Motor left)  CENTER DRAW  
 Motor right  Motor left  OVERLAP MASTER  
 BUTT MASTER (Ripplefold Only)

### \*R-TEC SMART CONTROLS BELOW IN ITEM 12 SOLD SEPARATELY.

**12** R-TEC SMART CONTROLS\*  
 1 control required for track system to function. Push 5 channel remote included, select alternative remote option for additional charge.  
 HANDHELD REMOTE | (Push 5 Channel, 65' Range)  
 HANDHELD REMOTE OPTIONS  
 65' Range Push Push Push Push  
 1 Ch white \$65.00  15 Ch white \$75.00  15 Ch black \$75.00  15 Ch white \$85.00  
 CUT-IN MOUNT SWITCH OPTIONS  
 65' Range, Requires RTMSMB/W \$8.50  
 1 Ch white \$50.64  2 Ch white \$56.59  15 Ch white \$75.00  
 Optional add-on controls  
 WI-FI TO ARC BRIDGE HUB, 2-WAY RF | \$255.00 (60' Range)  
 ARC USB SIGNAL REPEATER | \$120.00 (Extends the wireless range of the R-TEC Hub and Remotes up to 60')  
 WALL CHARGER | \$8.49  
 INTERIOR SUN SENSOR | \$45.00 (65' Range)  
 SURFACE MOUNT WALL SWITCH | \$70.00 (5 Channel, 65' Range)

### 13 READ THE TERMS OF SALE on the Custom Solutions Payment Form on page 3, sign and submit along with your signed forms.

LARGER PROJECTION BRACKETS & RETURN PLATES / EXTENDERS SOLD SEPARATELY.

Length of Track	48"	96"	144"	192"
Brackets Included	3	4	5	6

SHIPPING » [Flat Rate Shipping Program](#) Lengths over 8' will ship truck and incur an oversized fee. Splicing options for overlength sizes and alternative freight quotes available.

\* For a minimal 25% surcharge, Gold and Silver Shimmers can be applied to Finials/ End Caps & Fascias to accentuate your Finestra® Wood Hardware Finish.



**R** Rowley® Company  
 230 Meek Road / Gastonia / NC / 28056  
 Phone » R-TEC Automation® 866-985-3423  
 © 2024 Rowley® Company, LLC

Signature of purchaser / cardholder \_\_\_\_\_

Date \_\_\_\_\_


# PAYMENT FORM

ACCOUNT # \_\_\_\_\_





To place a Custom Solutions Shade System, Drapery Hardware System or Label order, you must complete and sign the Payment Form along with the applicable system build form. You may submit your completed forms via email to Sales@RowleyCompany.com.

For Order Forms, visit [RowleyCompany.com/CustomSolutions](http://RowleyCompany.com/CustomSolutions)

**OVERNIGHT SHIPPING**  
(additional freight will apply)

SHIPPING » [Flat Rate Shipping Program](#) Lengths over 8' will ship truck and incur an oversized  fee. Splicing options for overlength sizes and alternative freight quotes available.

SELECT ONE

EXPIRATION DATE  

--	--	--	--

CREDIT CARD # - LAST 4 DIGITS  

--	--	--	--

SECURITY CODE  

--	--	--	--

I authorize Rowley® Company to charge the credit card above for all of my orders submitted to Rowley® Company. I have read, understood and agree to the Terms of Sale on this payment form.

Visa, MC, Discover: 3 digits  
AMEX: 4 digits

Credit Card Billing Address  
(if different than ship to address)

\_\_\_\_\_

Complete Name of Card Holder

\_\_\_\_\_

Street Address

\_\_\_\_\_

City \_\_\_\_\_ State \_\_\_\_\_ Zip \_\_\_\_\_

\_\_\_\_\_

Phone

\_\_\_\_\_

\_\_\_\_\_

Email

Ship and apply to my pre-approved Net 30 account.  
Account # \_\_\_\_\_

The price of the custom build includes all parts, labor and packaging, but does not include sales tax where applicable or shipping charges, for which the receiver is responsible. All orders will ship within five business days from confirmation of order with satisfactory payment arrangements. R-TEC Automation® orders will ship within 10 - 15 business days. For commercial orders, request a quote with timeline. Terms: Net 30 days to pre-approved accounts only or credit card. Prices, design and availability are subject to change or withdrawal without notice.

\_\_\_\_\_  
Signature of purchaser / cardholder

\_\_\_\_\_  
Date

## TERMS OF SALE      WARRANTIES BY ROWLEY® COMPANY

Rowley® Company agrees to repair or replace, free of charge, any Custom Solutions Shade or Track System that due to faulty parts or workmanship in the assembled Shade or Track System is returned freight pre-paid to Rowley® Company within ninety (90) days of delivery. The parts in the system are covered by a ten year warranty. These warranties do not cover systems that have been subjected to abuse. The R-TEC Automation® Slim Drapery Motor is covered by a 5 year warranty.

Orders for Custom Solutions Label, Shade or Track Systems are not cancelable and cannot be altered. Custom Solution Label, Shade or Track Systems are not returnable for any reason except warranty repair, as described above. The buyer verifies that all sizes and other specifications are correct. A Custom Solutions Shade or Track System will be custom-built to the size and other specifications written on the system order form. Rowley® Company will repair or replace without charge any Custom Solutions Shade or Track System that is not made correctly to those specifications. THE CUSTOMER WILL BE CHARGED FOR ANY REPAIRS OR REPLACEMENT NECESSITATED BY AN ERROR IN THE MEASUREMENT OR OTHER SPECIFICATIONS.

OWNERSHIP: All selected shipping preferences are F.O.B. shipping point from any Rowley® location; the buyer owns the shipment as soon as it leaves the Rowley® Company loading dock. In the event of damaged shipment, the buyer must accept the shipment and place a claim with the carrier. Prices quoted include all parts, labor and packaging for all Custom Solutions Shade or Track Systems. The buyer is responsible for shipping costs.