

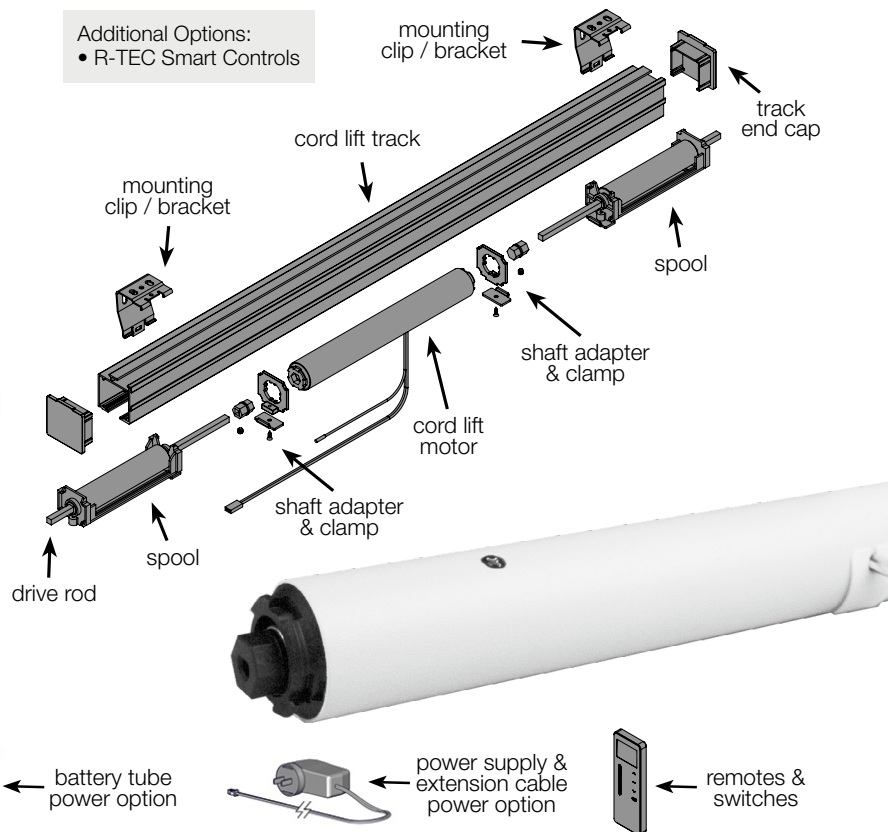


Cord Lift Motor

Cord Lift motorized shades offer a contemporary look while maintaining the functional benefits of a traditional Roman shade. Cord Lift motors have the ability to lift shades of various weights and sizes while ensuring a smooth operation.

- 2-way RF communication with ARC™ protocol for simple programming
- Leveling control
- Electronic limit setting and adjustment
- Favorite position
- Requires Battery Pack, Battery Tube or Power Supply

Additional Options:
• R-TEC Smart Controls



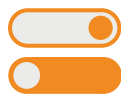
FEATURES



2-Way RF
Communication



Leveling
control



Preferred
Upper / Lower
Limit Settings



Favorite
Position

APPLICATIONS

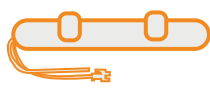


Roman
Shade

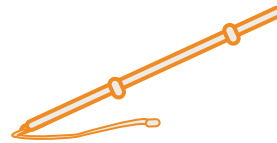


Cellular
Shade

POWER OPTIONS



Battery Pack &
Battery Charger



Battery
Tube



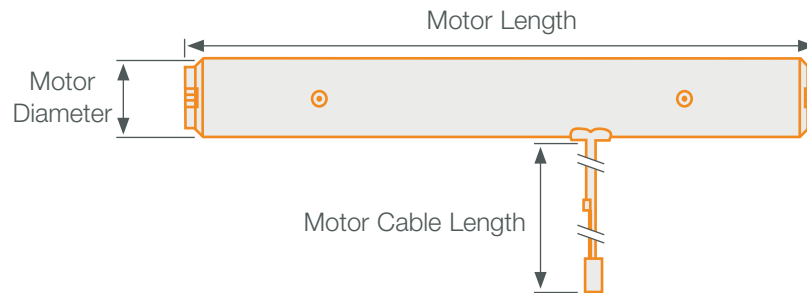
Power
Supply

SOLAR



Solar Panel
Battery Charger

SPECIFICATIONS



MOTOR SPECS

Voltage	Torque	Max. Run Time	Speed	Motor Length	Motor Diameter	Motor Cable Length	Amps	Sound Level
12 V DC	0.8 Nm	6 min.	45 RPM	7.59"	0.94"	14.25"	1.0 A	~60 DB

SYSTEM SPECS

Item #	Max. Size	Min. Shade Width / Cord Lift Track Length	Max. Load
RTMCLM	120" x 120"	22"	11 1/2 lbs.

