

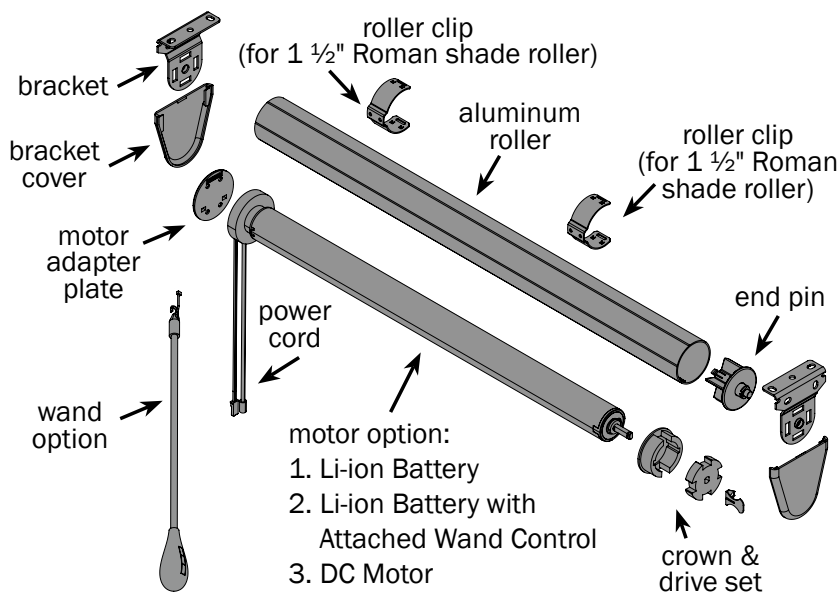
Quick Ordering Checklist for Tubular Motor Shades

Roman

- 1 - Motor Option ([Wirefree](#), [Wirefree with Wand Control](#) or [DC](#)) & Motor Size (25 mm, 28 mm or 35 mm; Wand 25 mm only)
- 2 - [Aluminum Roller](#) Length (4', 6', 8', 12' or 16') & Roller Size (1 1/2" only)
- 3 - [Drive Set Kit](#) (matches Motor & Aluminum Roller Size)
- 4 - [Brackets](#) & [Bracket Covers](#) (covers are optional)
- 5 - Power Option ([Battery Chargers](#) for Wirefree Motors; [Battery Pack](#), [Battery Tube](#) or [Power Supply](#) for DC Motors)
- 6 - Control Options ([Remote Controls](#) & [Wi-Fi Hub](#))
- 7 - If Building:
 - A - Lift Band: [Lift Band Material](#), [Fiberglass Ribs](#), [Rib Center Support Rings & End Caps](#) & [Weight Bar](#)
 - B - Lift Cord: [Soft Shade Roller Clips](#), [Encased Lift Cord Shroud Tube](#) or [Tape](#) & [Weight Bar](#)

Roller

- 1 - Motor Option ([Wirefree](#), [Wirefree with Wand Control](#) or [DC](#)) & Motor Size (25 mm, 28 mm or 35 mm; Wand 25 mm only)
- 2 - [Aluminum Roller](#) Length (4', 6', 8', 12' or 16') & Roller Size (1 1/8", 1 1/4", 1 1/2" or 2")
- 3 - [Drive Set Kit](#) (matches Motor & Aluminum Roller Size)
- 4 - [Brackets](#) & [Bracket Covers](#) (covers are optional)
- 5 - Power Option ([Battery Chargers](#) for Wirefree Motors; [Battery Pack](#), [Battery Tube](#) or [Power Supply](#) for DC Motors)
- 6 - Control Options ([Remote Controls](#) & [Wi-Fi Hub](#))
- 7 - [Weight Bar](#)



- Additional Options:
- Motor End Cover Kits
 - Cassettes
 - R-TEC Smart Controls

