

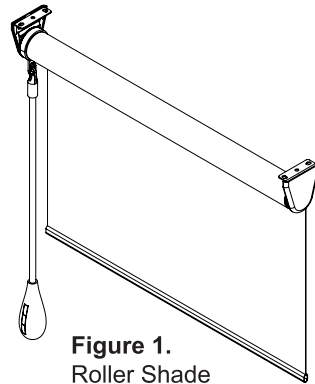
# Roller Shade Installation Instructions

## Using a Battery Motor & Attached Wand Control

Please read all instructions before starting

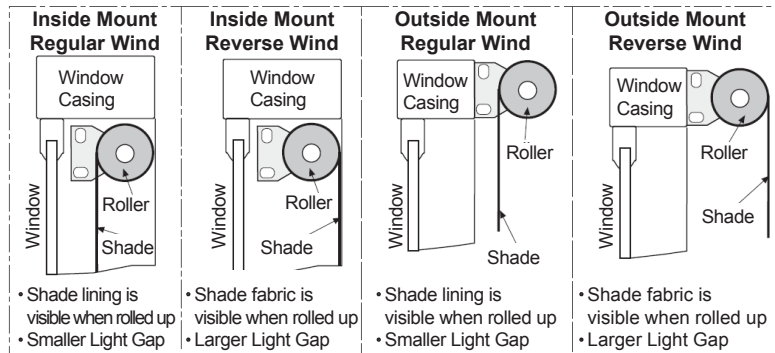
### INTRODUCTION:

The **Roller Shade Motorized System** is used to electronically control the shade using a motor and attached wand control. The total allowable weight will depend on the tube size selected (see the chart below for allowable shade weights). By using the attached wand control, the operator can raise and lower the shade smoothly and precisely. **Figure 1** shows an assembled roller shade with motor and end brackets.



**Figure 1.**  
Roller Shade with Motor

The **Roller Shade** can be mounted either inside or outside the window casing. For an inside mount, mount the brackets as close to the window as possible, yet have enough space for the shade fabric when completely rolled up. The shade can be regular wind or reverse wind as shown below in **Figure 2**.



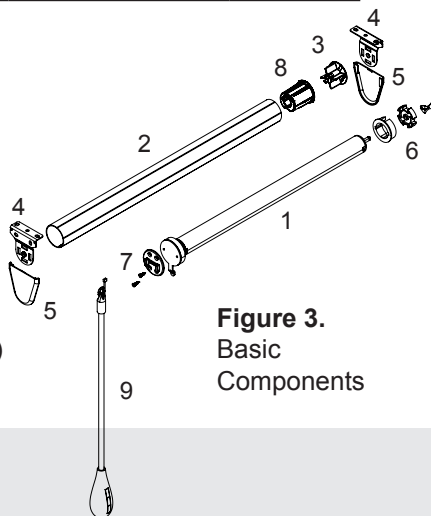
**Figure 2.** Side view on the top portion of the window

### ALLOWABLE SHADE SIZES & WEIGHTS:

Tubular Motor Item #	Motor Type	Tube Dia.	Maximum Shade Size	Minimum Shade Cloth Width/Roller Tube Length	Maximum Shade Weight
RTMLW25	Battery	1 1/4"	84" x 84"	21 1/2"	15.5 pounds
		1 1/2"	84" x 84"	21 1/2"	13.0 pounds

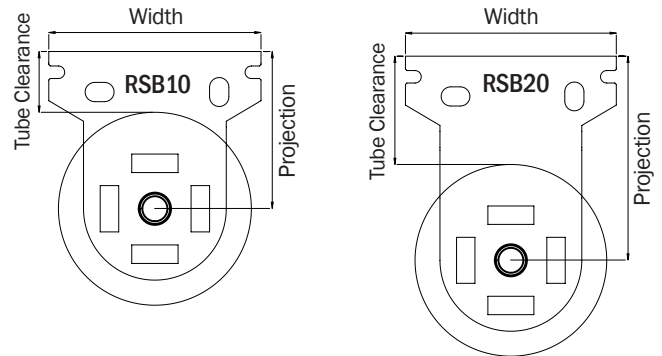
### PARTS LIST. See Figure 3.

1. Tubular Motor
2. Aluminum Roller
3. End Plug
4. Wall Brackets
5. Bracket Covers
6. Crown and Drive Set
7. Motor Mount Plate with Screws
8. Tube Adapter (as required)
9. Control Wand



**Figure 3.**  
Basic Components

### BRACKETS & BRACKET COVERS:



### BRACKETS:

Item #	Proj.	1 1/4" Tube Clearance	1 1/2" Tube Clearance	Width
RSB10	1 5/8"	1"	7/8"	2 1/4"
RSB20	2 1/8"	1 1/2"	1 3/8"	2 1/4"

Available in Zinc.

### BRACKET COVERS:

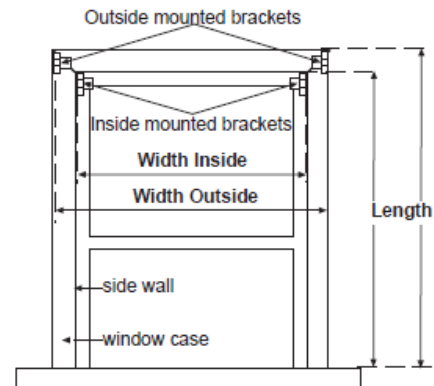
Item #	Fits
RSBC10/	RSB10
RSBC20/	RSB20

Available in White /W, Satin Nickel /SN and Black /K.

### MEASUREMENT:

**Step 1.** See **Figure 4**.

- A. Inside Mount:** Measure the **Width** inside the casing (jam-to-jam, or casing-to-casing), where the brackets will be installed; and the **Length** from the top of the bracket to the bottom of the window. Mark your location.



**Figure 4.** Measurements on a window

- B. Outside Mount:** Measure the **Width** outside between the outer edges of the window trim where the brackets will be installed; and the **Length** from the top of the bracket to the bottom of the window. Mark your location.

**NOTE:** Measure all windows for accuracy even though they may look the same.

**FABRICATION:**

**Step 2.** Cut shade cloth and aluminum roller.

**A. Chart for Shade Cloth Width/Roller Tube Length**

Tubular Motor Item #	Motor Type	Tube Dia.	Shade Cloth Width/ Roller Tube Length
RTMLW25	Battery	1 1/4"	Overall Width - 1 3/8"
		1 1/2"	Overall Width - 1 7/16"

**B. Chart for Shade Cloth Length** (Finished Shade Cloth Length allows for a bottom bar pocket and to wrap around the roller at the top):

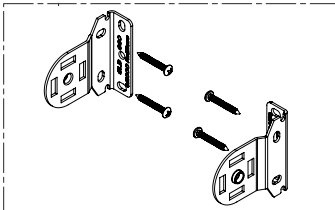
Tube Dia.	Finished Shade Cloth Length
1 1/4"	Length + 11"
1 1/2"	Length + 12"

**NOTE:** Cut the shade cloth square to ensure the shade will travel up and down and not track to the left or right.

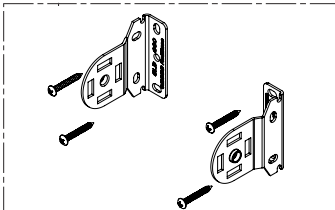
**INSTALLATION:**

**Step 3.** Mount the brackets to the window casing according to the marked locations in **Figure 4** (see page 1). **Figure 5** shows the proper bracket placement options. The left and right Skyline brackets are identical so the motor with wand control can be mounted on the left or the right side.

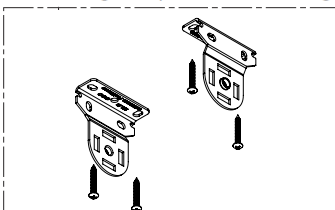
**A. To Inside of Window Casing**



**B. To Wall or Front of Window Casing**

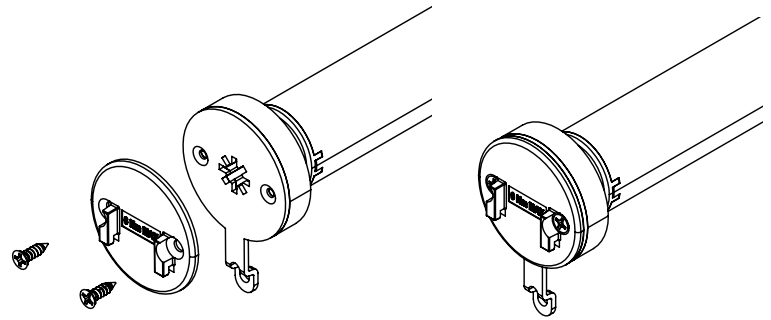


**C. To Ceiling or Top of Window Casing**



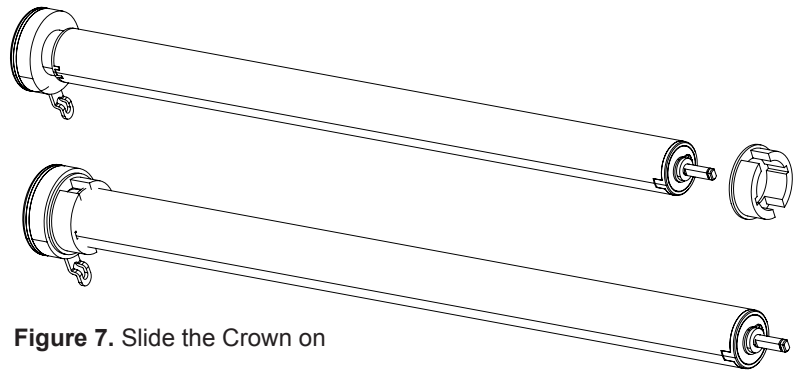
**Figure 5.** Install Brackets

**Step 4.** Install the motor mount plate to the tubular motor by using the screws provided and a Phillips screw driver, as shown in **Figure 6**.



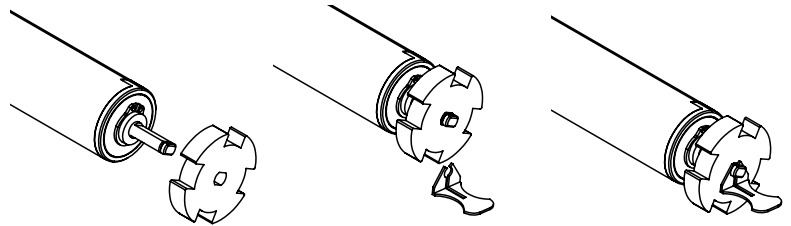
**Figure 6.** Install the Motor Mount Plate

**Step 5.** Slide the crown onto the motor as shown in **Figure 7**.



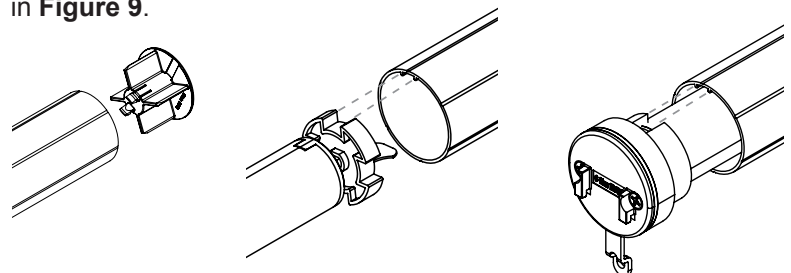
**Figure 7.** Slide the Crown on

**Step 6.** Slide the driver onto the end of the motor shaft. Then snap the drive retainer onto the motor shaft as shown in **Figure 8**.



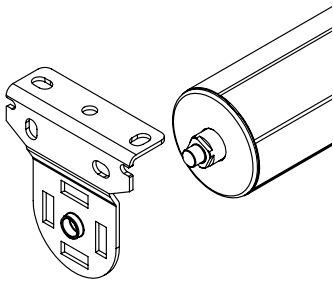
**Figure 8.** Slide the Driver on

**Step 7.** Insert the end plug (and tube adapter where required) and the motor assembly into the roller tube. Make sure to line up the tabs on the tube with channels on the driver and crown as shown in **Figure 9**.

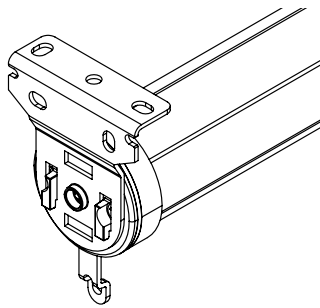


**Figure 9.** Insert the End Plug and Motor Assembly

**Step 8.** To install, insert the pin on the end plug into the center hole of the wall bracket shown in **Figure 10A**. While putting pressure on the spring pin, install the motor end onto the other bracket. The spring pressure will allow the tabs on the motor end to seat into the bracket as shown in **Figure 10B**.

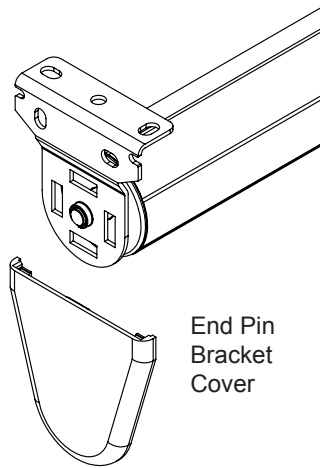


**Figure 10A.** End Pin Bracket

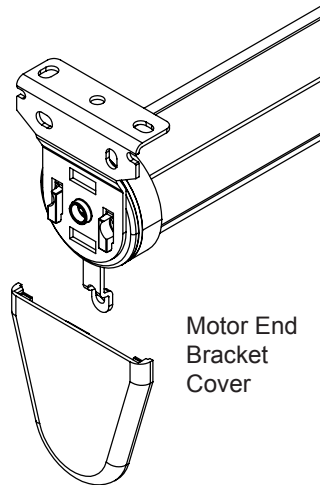


**Figure 10B.** Motor End Bracket

**Step 9.** Slide the bracket covers onto the brackets as shown in **Figure 11**.



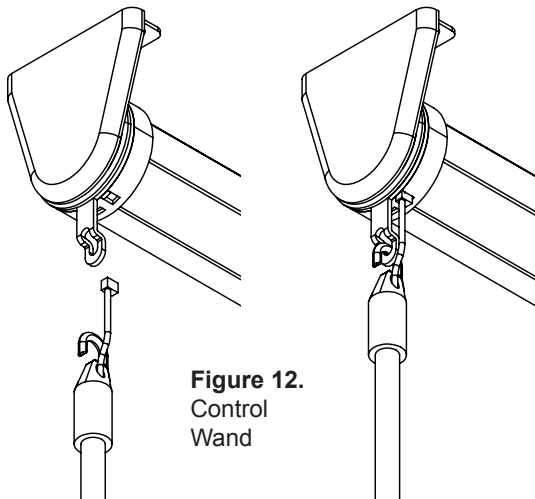
End Pin  
Bracket  
Cover



Motor End  
Bracket  
Cover

**Figure 11.** Bracket Covers

**Step 10.** Hook the control wand onto the tab on the motor and plug the power cord into the motor as shown in **Figure 12**.



**Figure 12.**  
Control  
Wand

## How to get started using your Motorized Roller Shade System with a Battery Motor with Wand Control:

- Please read all the instructions provided with your tubular motor.
- Your motor will be shipped in “sleep mode” and must be woken up before using.
- Keep the cords and any loose fabric away from the rotating parts of the roller shade while in use.
- Only use charging options for your motor that are available through Rowley Company.
- Charge the battery motor fully before its first use, which will take approximately 6 hours.

