

Caution

Please read these instructions carefully before using your electric rotary cutter. Unplug the power cable from the power source before you perform any adjustment or maintenance on the cutter. Unplug the power cable when the cutter is not in use. You should handle your cutter with extreme caution because of the sharp blade. When using, make sure the cord is always behind the cutter.

Specification

Voltage: 110 V or 220 V Power: 100 W
Max. Cutting Thickness: 1" Weight: 6 lb

Operation (See Figure 1)

1. Adjust the blade front guard to "just above the fabric" to help prevent cutting a finger or the cord.
2. Plug power cord into an electric outlet (110V or 220V depending on style of cutter).
3. Sharpen the blade by turning the switch on and pushing the grinding wheel push button as shown in Figure 2 with constant pressure for 10 seconds. The pressure should be large enough to keep the grinding wheel in continuous contact with the blade to obtain a sharp and uniform cutting edge. Try a piece of scrap fabric to clean the blade. Repeat this operation if the blade is not sharp enough.
4. Your cutter is now ready to cut. Always start the cutter before contacting the fabric. Hold the cutter securely as you push the cutter steadily forward along your cutting path. **You should practice on a piece of scrap before using your cutter for the first time.**

Lubrication and Maintenance

1. Put a drop of machine oil in the hole on the oil-ear (see Figure 1) once a day if you use the cutter every day. Otherwise put a drop of oil in the hole on the oil-ear before every use of the cutter.
2. Unthread the grease feed cap off and inject a small amount of grease into the grease feed cup after every 50 hours use (see Figure 2).
3. Clean and brush off any dust or dirt on the backside of the blade and blade seat by removing the blade after every 50 hours use or whenever you see a dirt built-up.

Blade Replacement

Replace the blade with a new one, **Stk#DT47/A**, when the diameter of the blade becomes too small to meet the lower blade properly. The cutter comes with an additional 4" octagon blade. You can use an optional 4" round blade, **Stk#DT47/H**, which is better for cutting thin or delicate fabric. Blades are sharp, use caution when handling.

1. Unplug the power cord.
2. Remove the blade front guard by pulling it upward, and turn the oil-ear outward as shown in Figure 1.
3. Remove the blade rear guard by loosening its thumb screw (see Figure 1).

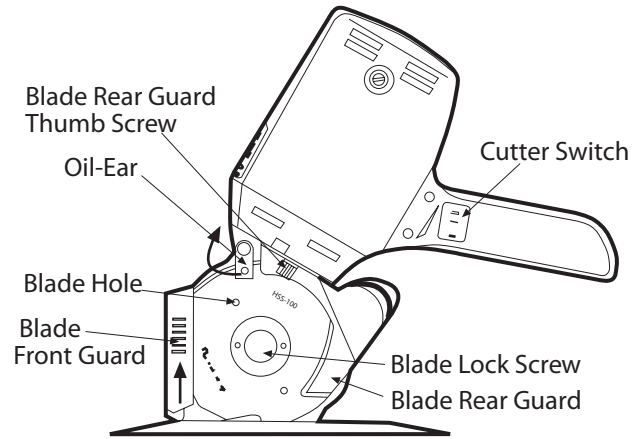


Figure 1. 4" Rotary Cutter Front View

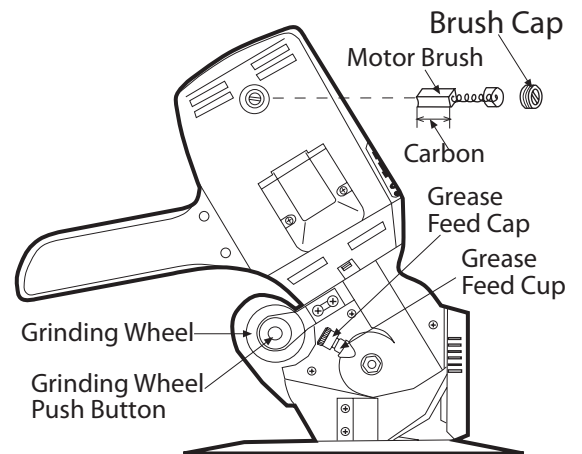


Figure 2. 4" Rotary Cutter Rear View

- Use the blade screw wrench shown in Figure 3 to loosen the blade lock screw counter clockwise. If the blade turns with the lock screw, you can stop it by inserting one end of the pin (see Figure 3) through the hole in the blade at the location as shown in Figure 1. There is a hole at the blade seating at that location.
- Take out the old blade and put the new blade in. Make sure the two notches on the blade fit into the two pins on the blade seating, and the face of the blade (with the mark of HSS-100) toward outside.

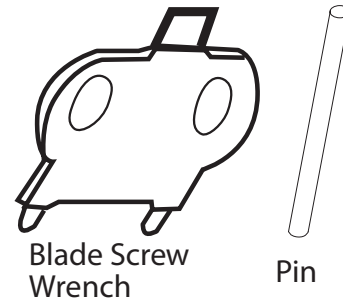


Figure 3. Special Tools

Sharpening Stone Replacement (See Figure 4)

- Unplug the power cord.
- Remove the felt ring around the grinding wheel shaft with a needle nose plier.
- Insert one end of the pin into the hole on the grinding wheel shaft. Hold the drill bit with your right hand and turn the grinding wheel with your left hand until it comes out.
- Put a new grinding wheel, **Stk#DT47/B**, by turning it into the grinding wheel shaft.

Motor Brush Replacement

If the motor does not run well, you may need to change the motor brushes, **Stk#DT47/C**. Motor brushes must be replaced when the carbon length is less than 1/4" as shown in Figure 2.

- Unplug the power cord.
- Unscrew brush cap (see Figure 2) to take out the worn motor brush.
- Put the new brush in, then screw and tighten the brush cap. You should change both brushes at the same time so the motor runs smoothly.

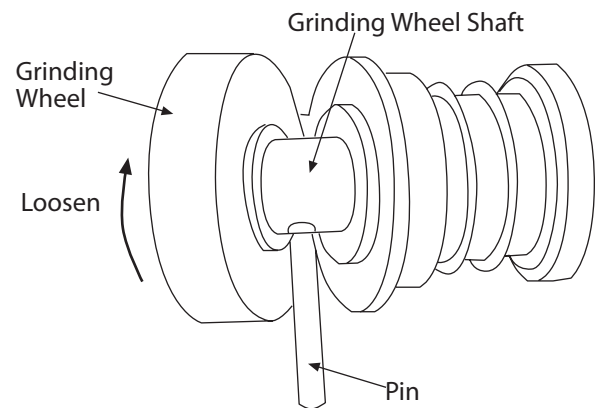


Figure 4. Grinding Wheel Assembly

Accessory with the cutter

1 special wrench (see Figure 3) for blade lock screw; 1 pin, 1 syringe of grease; 1 extra octagon blade, 1 grinding stone, 1 pair of motor brushes, 1 brush screw.

Warranty

3 month limited warranty against manufacturer defects of this cutting tool. Abuse or dropping any portion of this tool will void the warranty.