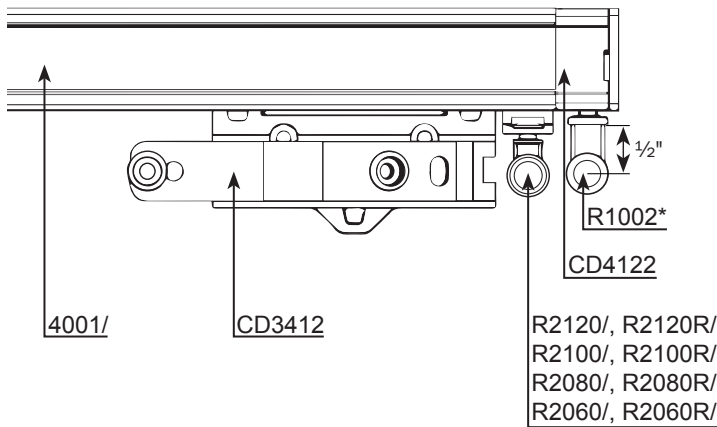


# 4001 Cord Draw Track System

Short and long pendants available in Ripplefold end pulleys and carriers. Master carriers work with both short and long pendants.

## Short Pendants

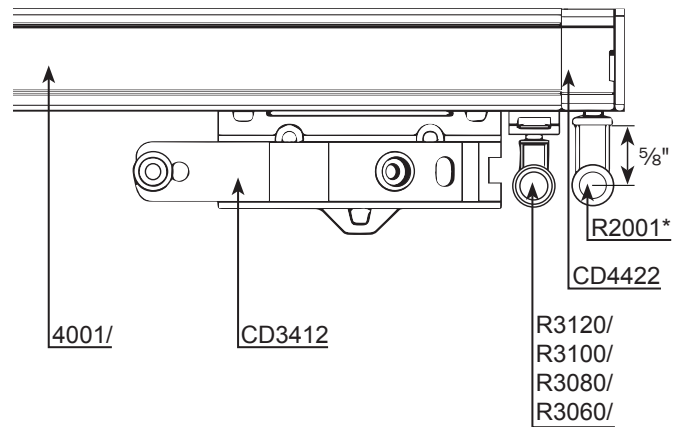
- Pendant drop -  $\frac{1}{2}$ ".
- Recommended for standard installations.
- Short carriers align with master carriers.
- Snap tape should be sewn on no more than  $\frac{1}{8}$ " from top edge of the drapery.



\*Also sold separately.

## Long Pendants

- Pendant drop -  $\frac{5}{8}$ ".
- Option for use in high traffic commercial installations to minimize friction at the top of the drapery.



\*Also sold separately.