

INSTRUCTIONS TO WRAP VINYL AROUND PVC

The woodgrain vinyl makes PVC pipe look like wood pole. The materials needed : Woodgrain Vinyl and 1" wide Double Face Tape(DF100).

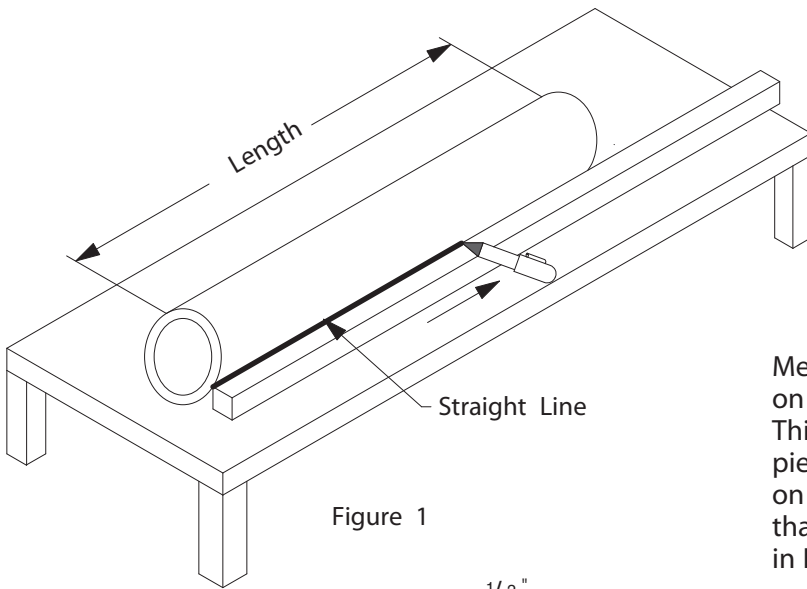


Figure 1

Measure the length of the pipe. Draw a straight line on the pipe with a marker as shown Figure 1. This is easy to do if you lay the pipe against a straight piece of wood and mark along the edge of the wood on the pipe. Apply double face tape on the pipe so that the straight line is centered on the tape as shown in Figure 2 ($\frac{1}{2}$ " on both sides of the line).

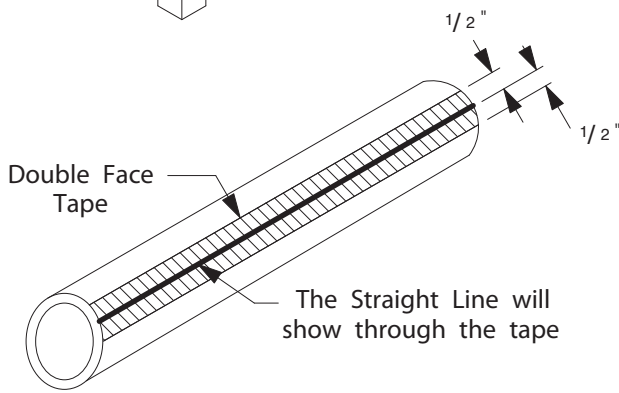


Figure 2

For 2" PVC pipe, use 8" wide vinyl.
For 3" PVC pipe, use 11 $\frac{1}{2}$ " wide vinyl.

Cut the vinyl $\frac{1}{2}$ " longer than the pipe length, i.e. length + $\frac{1}{2}$ ". Remove the release liner from the tape. Press the vinyl(woodgrain showing outside) on to the tape along the straight line. Make sure vinyl overhangs $\frac{1}{4}$ " on both ends of the pipe as shown in Figure 3. Wrap the vinyl around the pipe tight pressing vinyl on to the tape. Do not stretch the vinyl. Trim the extra vinyl from the end of pipe with a knife.

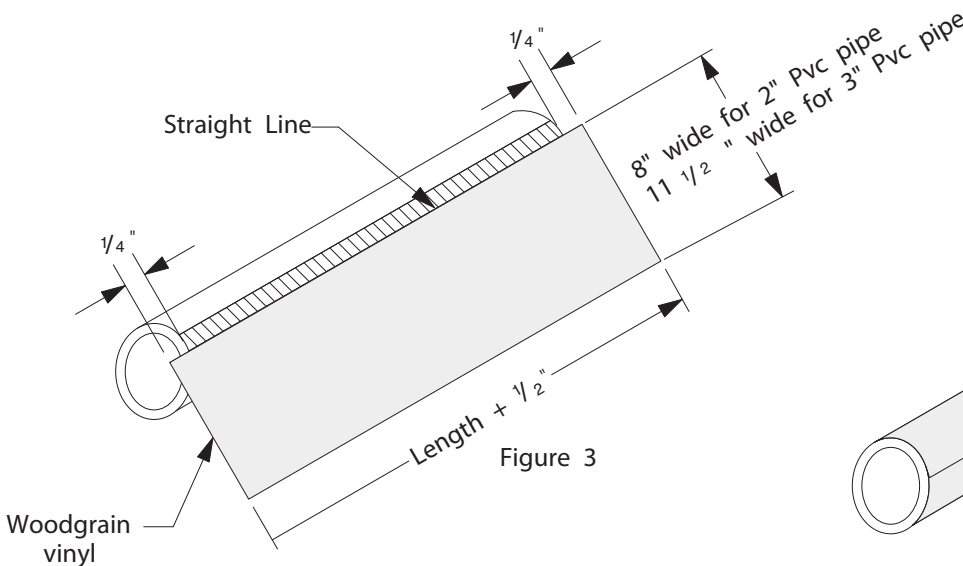


Figure 3

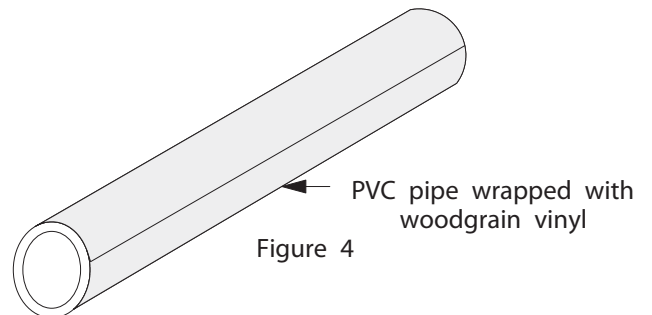


Figure 4