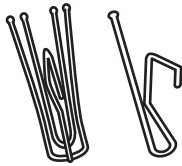


What You Will Need:

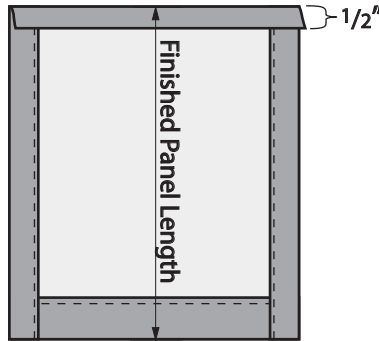
- Deep pleat tape (STW36)
- Your chosen drapery fabric; if desired, drapery lining fabric
- Matching thread
- Drapery weights (x4, one for each corner of drapery panel).
- 4-prong curtain hooks and end pins, long neck or short neck. Use long neck hooks for drapery heading hanging below the pole or track. Use short neck hooks to hide the pole or track. A pair of panels needs 4 end pins. For every foot of rod width, about four 4-prong hooks, depending on the desired fullness.



If desired, iron the tape at synthetic setting only. Excess heat will damage the Tape.

Sewing Instructions:

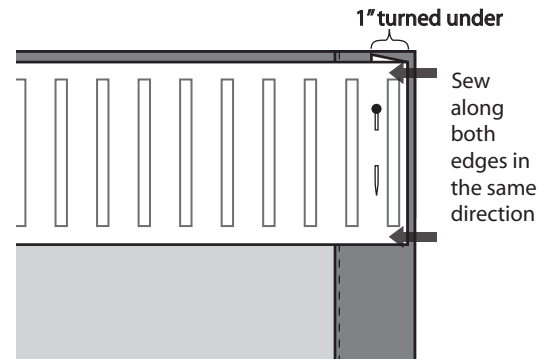
1. Sew panels, finish side hems and bottom hem. At the header, fold a 1/2" flap to the back side and press.



2. Ensure that the pockets on the tape are facing up. Place the tape across the entire width of the panel, leaving about 1/8" between the top edges of the panel and the tape.

At both sides of the panel, trim the tape to 1" extra. Turn 1" under as shown below. Align the folded edge with the side of the panel. Pin.

3. Machine stitch the tape to the panel along both edges in the same direction.



4-prong hooks use every other pocket

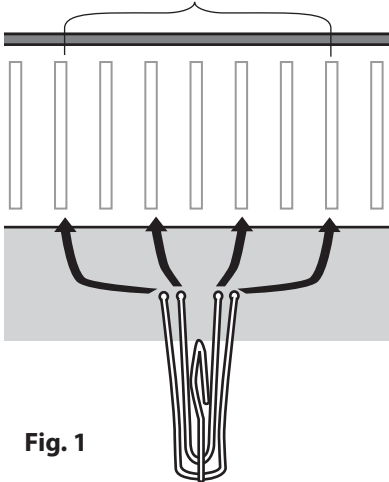


Fig. 1

Inserting Curtain Hook Instructions:

4-prong hooks use every other pocket (Fig1). Insert one prong at a time in every other pocket, until all 4 prongs are inserted. Gently slide the hook up. The front of panel forms three nicely formed deep pinch pleats.

One can adjust spacing between hooks by skipping different number of pockets. Skipping 2 or 3 pockets are most common (Fig2, and Fig3). The number of pockets skipped should be consistent across entire panel and between a pair.

The beauty of the deep pleat tape and 4-prong hooks is that they let you change your mind and re-adjust even after the panel has been pleated. Simply remove the hooks and try a different pocket skipping pattern or move the hooks a few pockets left or right.

After the entire panel is pleated and you are satisfied with the result, insert two end pins, one in each pocket at the two edges of the panel (Fig3).

Hang the panels by inserting the hooks through eyes of the pole rings or glides.

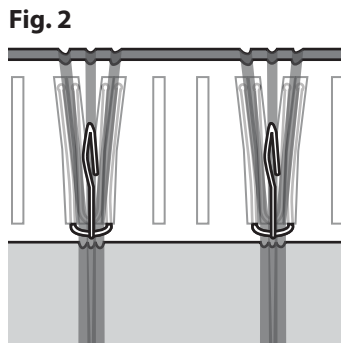


Fig. 2

Or

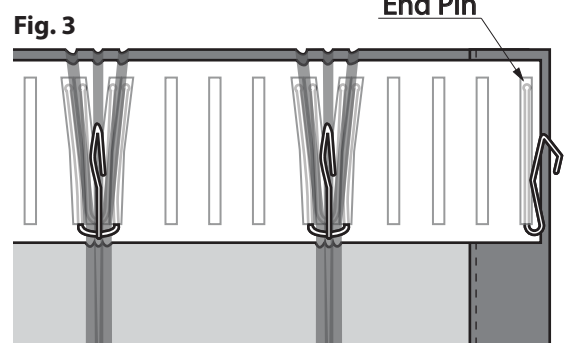


Fig. 3

End Pin