

Aria® Metal Hardware

H-Rail Track Kit Installation Instructions

H-Rail Track - 1 1/8"

Thank you for purchasing your new H-Rail Track Kit. With proper installation and care, it will provide you or your customer with years of beauty and trouble-free functionality. Clean with a soft cloth. Do not use harsh or abrasive cleaning supplies or polishes, which may damage the finish.

Tools Needed for Installation (not included):

- Tape measure, level and pencil
- Power drill with 1/8" drill bit for screws and / or 3/16" drill bit for plastic plug
- #2 Phillips bit or screw driver

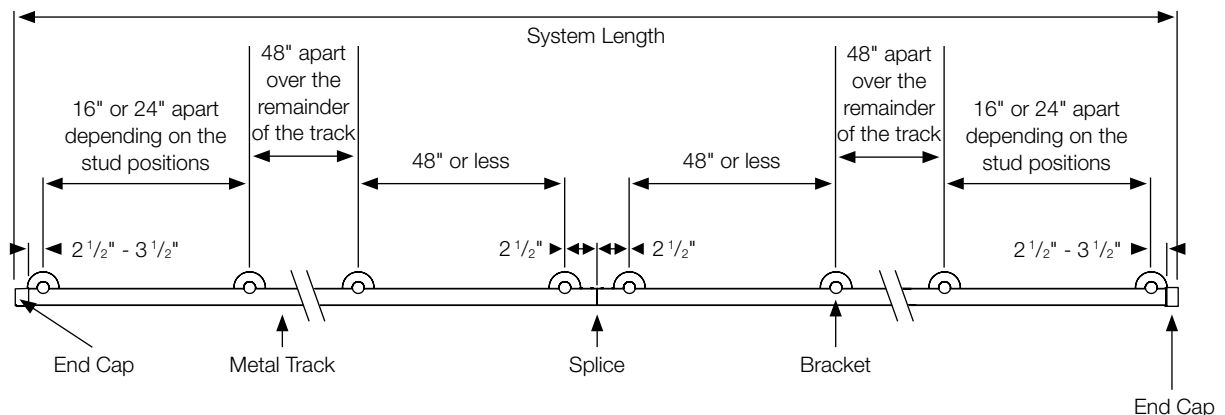
NOTE

Install brackets on studs or joists whenever possible. If installing on studs or joists is not practical, use proper fasteners for the type of mounting surface you have. The track should ideally be supported as shown below. Additional brackets may be used if the drapery is heavier, longer or double projection brackets are used.

NOTE: Installer is responsible for determining the correct mounting fastener and wall location per the wall construction type.

Tips for Successful Installation:

- Securely attach all brackets to the mounting surface. Mount the brackets to wall studs or ceiling joists whenever possible. Use the proper fasteners designed for your particular type of mounting surface. Hollow Wall Fasteners (sold separately) are recommended for drywall.
- Make sure all the brackets line up evenly.



• Suggested support brackets

Rod Width	# of Brackets	Description
0 - 4 ft.	2	Two end brackets
4 - 6 ft.	3	One center support, two end brackets
6 - 8 ft.	4	Two center supports, two end brackets
8 - 12 ft.	5	Three center supports, two end brackets
12 - 16 ft.	6	Four center supports, two end brackets
16 - 20 ft.	7	Five center supports, two end brackets
20 - 24 ft.	8	Six center supports, two end brackets

NOTE: 40 lbs is the max operation weight. 40 lbs is the max panel weight.

Maximum panel weight for FMH28400/, FMH28403/, FMH28404/

Rod Width	# of Brackets	One Way Draw Panel Weight	Center Draw Panel Weight
0 - 4 ft.	2	8.5 lb/ft	15.0 lb/ft
4 - 6 ft.	3	6.5 lb/ft	11.5 lb/ft
6 - 8 ft.	4	5.0 lb/ft	8.5 lb/ft
8 - 12 ft.	5	3.0 lb/ft	6.5 lb/ft
12 - 16 ft.	6	2.5 lb/ft	5.0 lb/ft
16 - 20 ft.	7	2.0 lb/ft	4.0 lb/ft
20 - 24 ft.	8	1.5 lb/ft	3.0 lb/ft

Maximum panel weight for FMH28401/

Rod Width	# of Brackets	One Way Draw Panel Weight	Center Draw Panel Weight
0 - 4 ft.	2	3.5 lb/ft	6.0 lb/ft
4 - 6 ft.	3	3.0 lb/ft	4.5 lb/ft
6 - 8 ft.	4	2.0 lb/ft	3.5 lb/ft
8 - 12 ft.	5	1.5 lb/ft	2.5 lb/ft
12 - 16 ft.	6	1.0 lb/ft	2.0 lb/ft
16 - 20 ft.	7	1.0 lb/ft	2.0 lb/ft

Maximum panel weight for FMH28402/

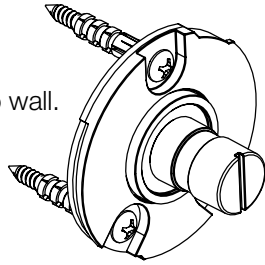
Rod Width	# of Brackets	One Way Draw Panel Weight	Center Draw Panel Weight
0 - 4 ft.	2	2.0 lb/ft	3.5 lb/ft
4 - 6 ft.	3	2.0 lb/ft	2.5 lb/ft
6 - 8 ft.	4	1.5 lb/ft	2.0 lb/ft
8 - 12 ft.	6	1.5 lb/ft	1.5 lb/ft
12 - 16 ft.	7	1.0 lb/ft	1.0 lb/ft

WALL MOUNT TRACK SYSTEM INSTALL:

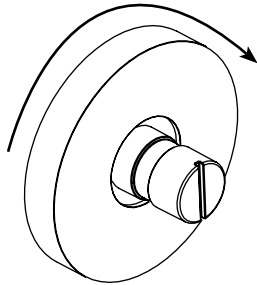
NOTE: Installer is responsible for determining the correct mounting fastener and wall location per the wall construction type.

Step 1. Locate bracket base plate.

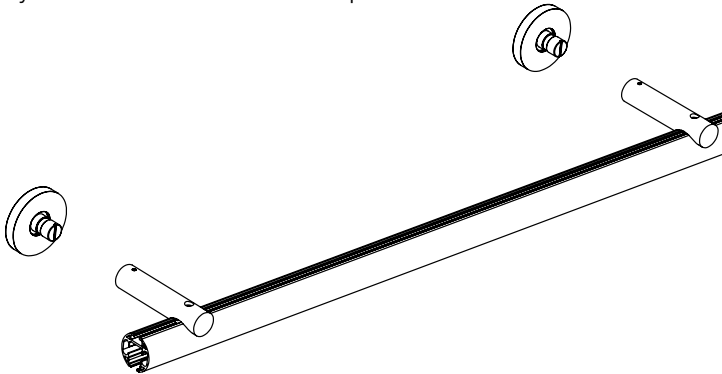
Step 2. Mount wall mount base plate to wall.



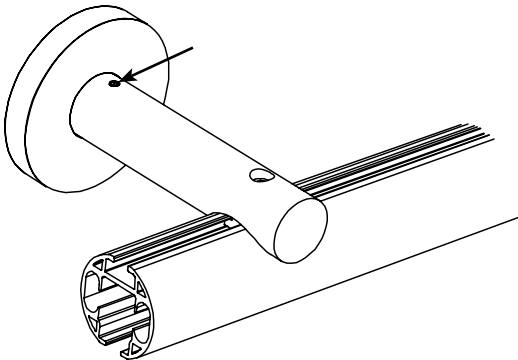
Step 3. Locate bracket base cover. Place cover over wall mount base plate. Turn cover clockwise to lock in place.



Step 4. Locate the stems and place on track. Place track system onto wall mount base plates.



Step 5. Tighten all wall mount stems with set screw located above the wall mount cover.

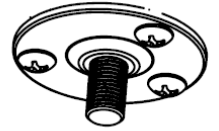


CEILING MOUNT TRACK SYSTEM INSTALL:

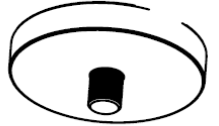
NOTE: Installer is responsible for determining the correct mounting fastener and wall location per the wall construction type.

Step 1. Locate ceiling plate.

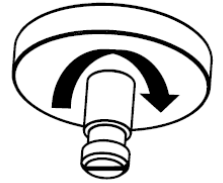
Step 2. Mount ceiling plate to ceiling.



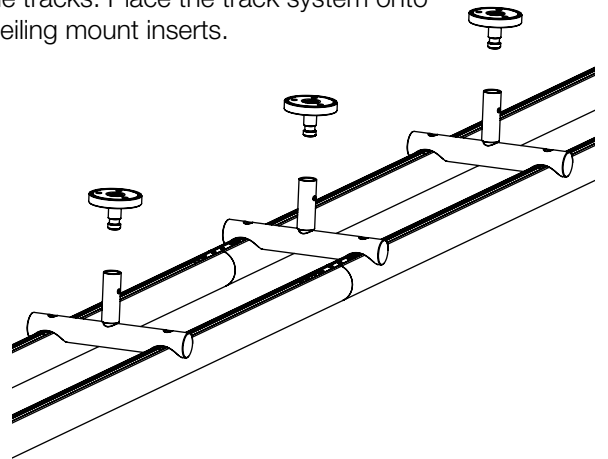
Step 3. Locate ceiling bracket cover. Place cover over the ceiling plate.



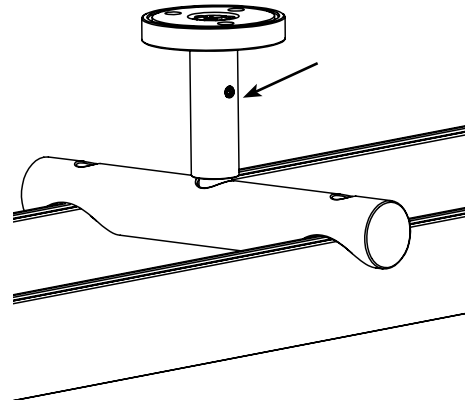
Step 4. Locate the insert. Screw the insert on the ceiling plate.



Step 5. Locate track system. Place the double ceiling bracket on the tracks. Place the track system onto the ceiling mount inserts.



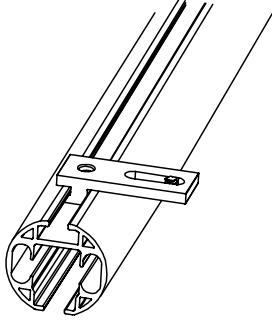
Step 6. Tighten all ceiling mount stems with set screw located close to the ceiling mount cover.



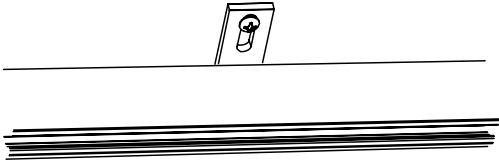
LOW-PROFILE CEILING BRACKET TRACK SYSTEM INSTALL:

NOTE: Installer is responsible for determining the correct mounting fastener and wall location per the wall construction type.

Step 1. Locate track system and install the ceiling brackets.



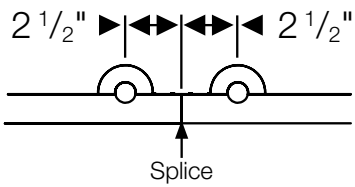
Step 2. Mount the system to the ceiling.



SPLICE TRACK SYSTEM INSTALL:

NOTE: Installer is responsible for ensuring track sections line up during installation.

Step 1. Install brackets on both sides of the splice.



Step 2. Locate the splice and install it in the track sections. Line up both track sections and tighten the set screws.

