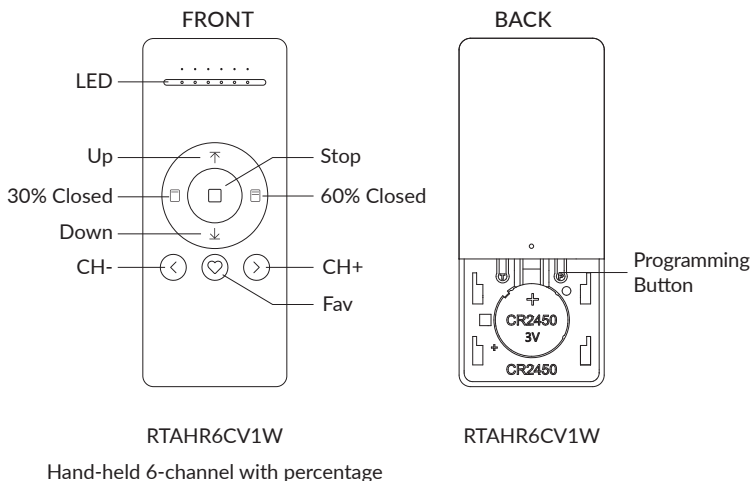


RTAHR6CV1W

6-channel LED Remote Controller

User Manual

1. PRODUCT DIAGRAM



2. REMOTE SPECIFICATIONS

Battery Type	CR2450*3V*1
Work Temperature	14°-122°F
Radio Frequency	433.92M±100KHz
Transmit Distance	>=98.5' indoor

⚠WARNING

- **INGESTION HAZARD:** This product contains a button cell or coin battery
- **DEATH** or serious injury can occur if ingested.
- A swallowed button cell or coin battery can cause **Internal Chemical Burns** in as little as **2 hours**.
- **KEEP** new and used batteries **OUT OF REACH** of **CHILDREN**
- **Seek immediate medical attention** if a battery is suspected to be swallowed or inserted inside any part of the body.



3. CAUTION

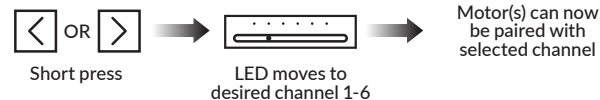
⚠WARNING: Important safety and operation instructions to be read before installation and use.

1. This product is intended for indoor use only. Do not expose the remote to moisture or extreme temperatures.
2. If the remote becomes less responsive and has a shorter transmission range, please check whether the battery needs to be replaced.
3. Use or modification outside the scope of this instruction manual will void warranty.
4. When the battery voltage is too low, the orange LED will flicker during operation.
5. Please properly dispose of used batteries and replace with only the specified battery type.

4. INSTRUCTIONS

Channel Selection

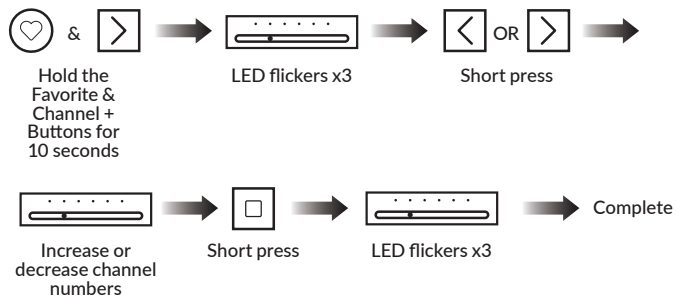
To change channels on the remote in order to pair with a single or multiple motors



Note: A maximum of 15 motors can be added to one channel. All motors added to the same channel will operate simultaneously.

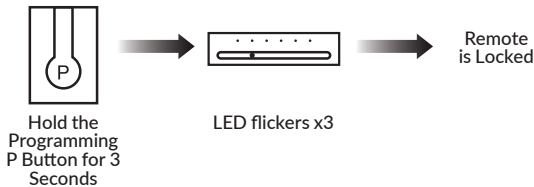
Follow the motor pairing instructions first before completing the remote settings below:

Hide Unused Channels



Locking the Remote

Prohibits any programming or settings from being changed on the Remote.



To unlock the remote and allow programming once again, repeat the steps above.

For further operations please refer to the motor pairing instructions.